

## E-Series

### Economical Packaging, Multiple Uses

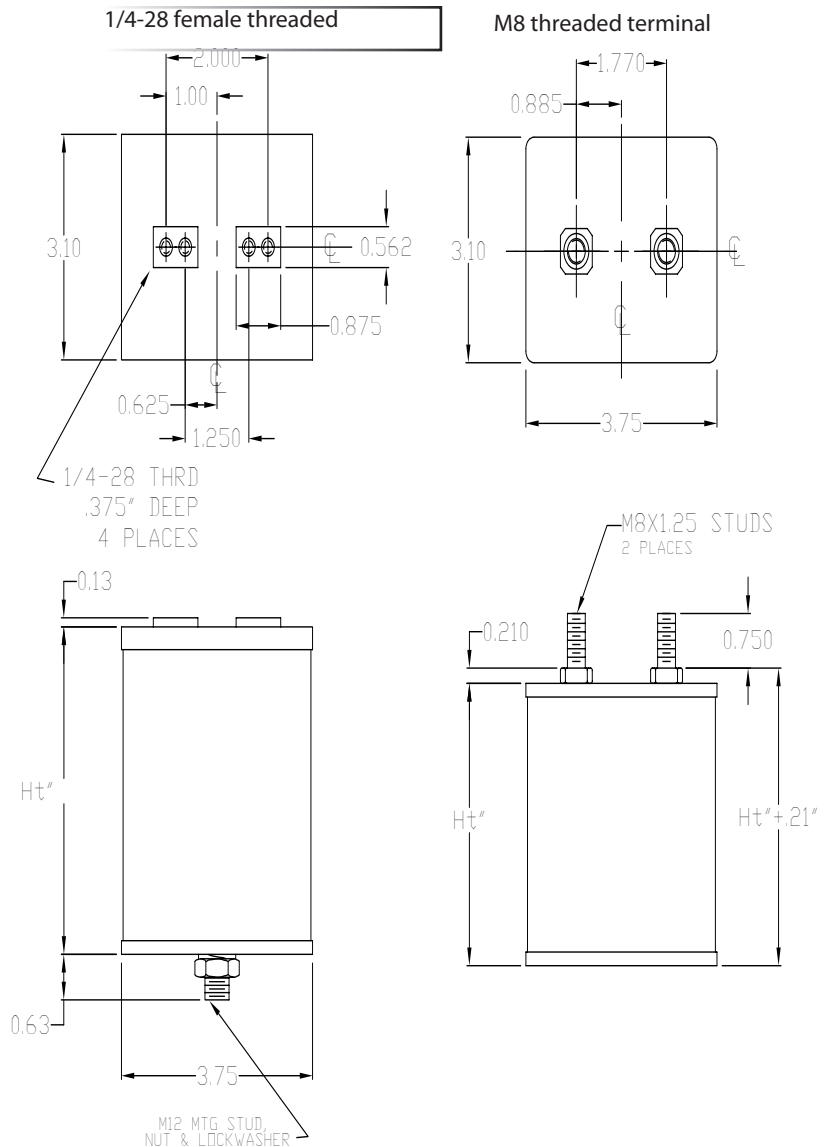
NWL's E-Series capacitors offer superior performance, reduced volume, and completely dry resin packaged construction for a wide variety of applications. Utilizing polypropylene film dielectric with segmented metallized electrodes encapsulated in resin and packaged in an aluminum container, these capacitors offer a range of current and voltage ratings to best fit your requirements.

Our E-Series capacitors are well suited to handle high ripple current at high frequencies, as well as these applications:

- DC Filter
- DC Link
- AC Harmonic Filter
- High Energy Pulse



### PHYSICAL DIMENSIONS



### GENERAL SPECIFICATIONS

Reference Standard: IEC 1071-1

Capacitance Tolerance:  $\pm 10\%$

**Voltages:** DC rating continuous steady state condition  
 DC<sub>pk</sub> pulse duty, <20% reversal  
 AC rms sinewave @ 60 Hz  
 DC surge: 1 minute, once/day  
 Test T-T @ 1.5 VDC, 10 seconds  
 Test T-C @ 2.0<sub>pk</sub> DC + 1KV, 10 sec

**Current/Temp rate:** ripple rms current @ 50°C ambient  
 peak current @ 40°C ambient

**VA:** VAC rms · Amps rms<sub>max</sub>

**Inductance:** 20 - 90 nH

**Operating Temperature:** -40°C to 85°C

**Encapsulation:** UL 94V0 thermosetting resin



TransformingTheFutureOfPowerTechnology

204 Carolina Drive phone: 252-747-5943 e-mail: sales.caps@nwl.com  
 Snow Hill, NC 28580 fax: 252-747-8979 www.nwl.com/caps

CONSULT FACTORY WITH DETAIL REQUIREMENTS OR REQUEST TECHNICAL DIALOG.

## E Series Capacitors Electrical Rating Chart

<u>uF</u> +/-10%	<u>VDC</u> continous	<u>Vpk</u> pulse	<u>VAC</u> rms@60Hz	<u>VDC</u> surge	<u>Current</u> peak @ 45 C	<u>Current</u> rms @ 55 C	<u>VA</u> VrmsxArms	<u>Unit Ht</u> inches	<u>Weight</u> lbs (kg)
250	630	750	180	900	3000	60	10800	2.88	0.70
500	630	750	180	900	6000	80	14400	4.88	1.20
750	630	750	180	900	8000	100	18000	7.00	1.80
1000	630	750	180	900	10000	100	18000	9.00	2.00
250	800	1000	240	1200	2000	45	10800	3.88	0.90
300	800	1000	240	1200	4000	90	20000	4.88	1.20
500	800	1000	240	1200	3300	80	19200	5.88	1.60
600	800	1000	240	1200	3300	80	19200	6.88	1.80
800	800	1000	240	1200	7500	100	24000	10.25	2.30
30	1000	1200	280	1500	1650	45	12500	2.25	0.58
60	1000	1200	280	1500	3300	90	20000	4.88	1.20
100	1000	1200	280	1500	3000	100	12100	3.00	0.75
200	1000	1200	280	1500	3600	70	15400	3.88	0.90
250	1000	1200	280	1500	1420	30	8400	4.88	1.20
400	1000	1200	280	1500	2200	50	14000	6.88	1.70
100	1200	1500	280	1875	2200	43	12040	3.88	0.90
140	1200	1500	280	1875	3100	60	16800	3.88	0.90
200	1200	1500	280	1875	3400	50	14000	6.88	1.70
280	1200	1500	280	1875	5000	100	28000	7.88	1.90
290	1200	1500	280	1875	2200	50	14000	6.88	1.70
50	1600	2000	480	2400	2750	80	19400	4.88	1.20
75	1600	2000	480	2400	1450	50	19400	4.88	1.20
100	1600	2000	480	2400	5500	100	34500	9.00	2.00
110	1600	2000	480	2400	2500	60	24100	6.13	1.00
125	1600	2000	480	2400	1200	40	19200	7.13	1.68
150	1600	2000	480	2400	2850	80	34500	9.00	2.00
25	2000	2500	560	3000	2600	50	11400	2.88	0.70
50	2000	2500	560	3000	2750	80	19200	4.88	1.20
60	2000	2500	560	3000	1000	32	17920	5.13	1.28
75	2000	2500	560	3000	4200	100	27100	6.88	1.70
90	2000	2500	560	3000	1000	32	17920	7.13	1.78
100	2000	2500	560	3000	5500	100	35400	9.00	2.00
125	2000	2500	560	3000	2000	60	33600	10.25	2.30
30	2400	3000	660	3400	2500	50	19400	4.88	1.20
45	2400	3000	660	3400	1300	30	19800	6.88	1.70
60	2400	3000	660	3400	800	20	13200	7.13	1.78
25	3000	3500	750	4500	3600	70	19200	4.88	1.20
30	3000	3500	750	4500	700	20	15000	6.13	1.68
40	3000	3500	750	4500	700	20	15000	7.13	1.78
50	3000	3500	750	4500	7000	100	35400	9.00	2.00