

4

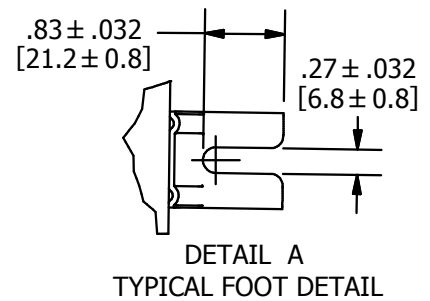
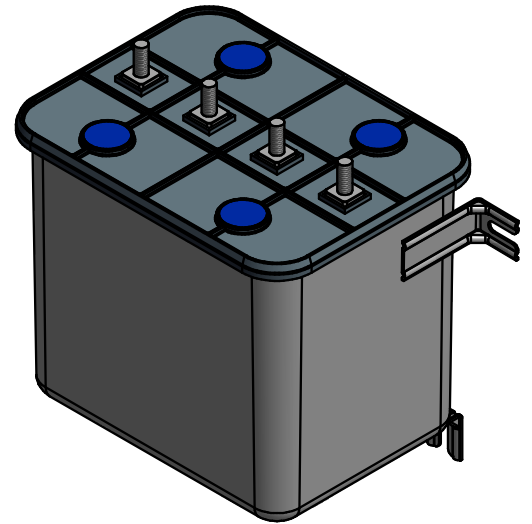
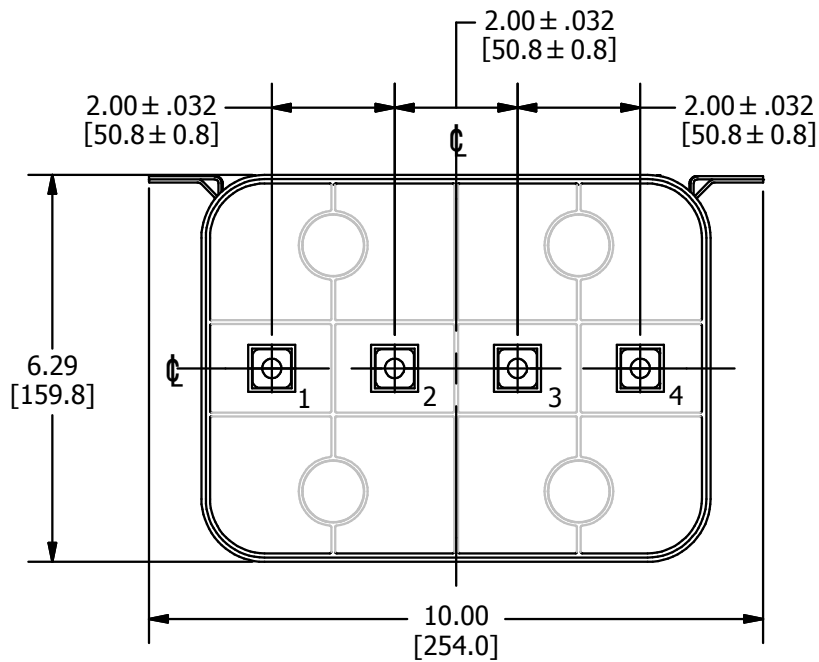
3

2

1

D

D

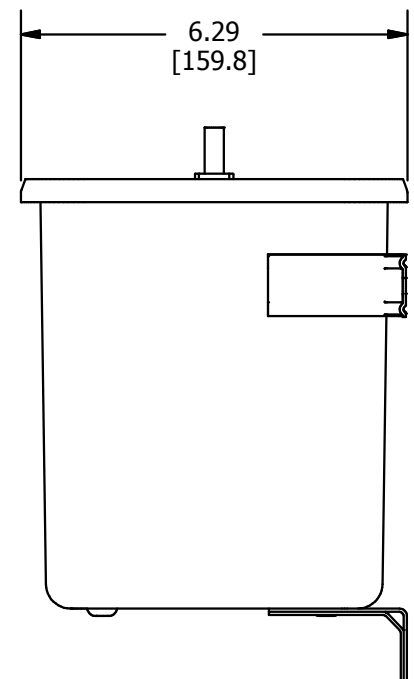
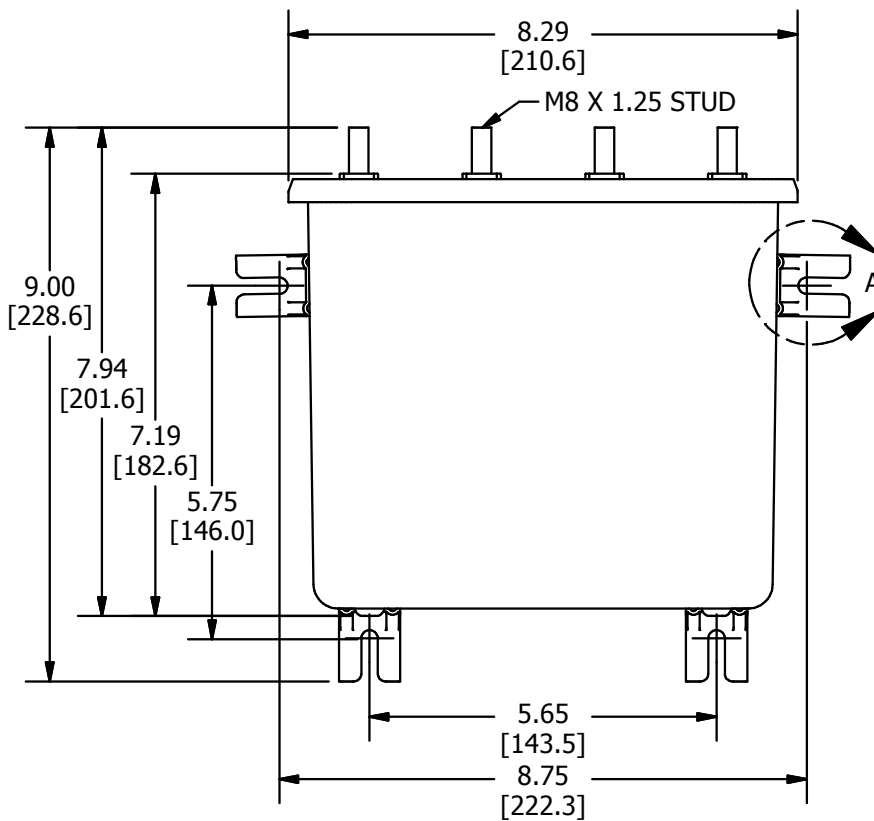


C

C

B

B



A

A

## NWL ER SERIES MOUNTING TYPE-W

### NOTES:

1. DIMENSIONS IN INCHES. NUMBERS IN [ ] ARE METRIC AND PROVIDED FOR REFERENCE ONLY
2. TOLERANCE: ±.063 [1.6] UNLESS OTHERWISE NOTED

4

3

2

1