

## WA-Series

Advanced Technology – dealing with DC Voltage

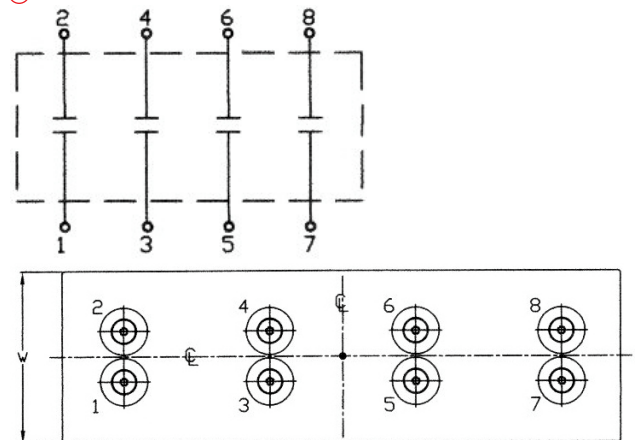
NWL's WA-Series DC Voltage capacitors offer a superior performance, economy and reliability for a host of power-electronic applications - including drives, inverters, and DC filtering systems. With diversity in high tech applications, WA-Series can accommodate preferences for inductance, mounting, and multiple value sections. Presented below are a few standard terminal types, orientations, and a chart of typical ratings.



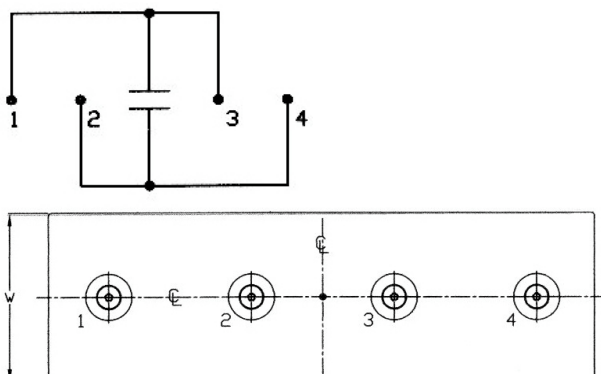
### ELECTRICAL / MECHANICAL CHARACTERISTICS

Capacitance:	100 uF to 50,000 uF +/- 10%
DC Voltages:	700 VDC to 6000 VDC
Package:	Standard welded aluminum air cooled case, stainless steel option, water cooling option.
Inductance:	62 nH down to 12 nH option
RMS currents:	200 to 1000 amps @ 10 kHz ripple
Temperature:	- 40 °C to Hot Spot @ 85 °C - 40 °C to Hot Spot @ 100 °C *upon request

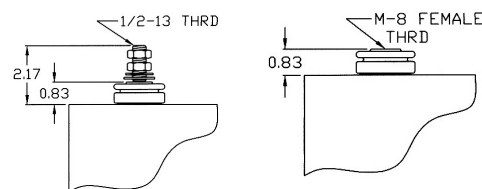
### 700 AMP RMS TERMINAL LAYOUT, INDUCTANCE PER CHART



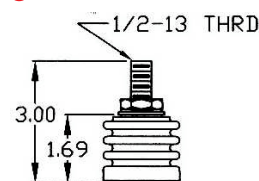
### 400 AMP RMS TERMINAL LAYOUT



### STANDARD LOW PROFILE TERMINAL OPTIONS



### STANDARD TERMINAL FOR > 3600 VOLTS





Transforming The Future Of Power Technology

204 Carolina Drive  
Snow Hill, NC 28580

phone: 252-747-5943  
fax: 252-747-8979

e-mail: sales.caps@nwl.com  
www.nwl.com

CONSULT FACTORY WITH DETAIL REQUIREMENTS OR REQUEST TECHNICAL DIALOG.

## COMMON RATINGS / TYPICAL SIZES

<u>uF</u> + / - 10%	<u>VDC</u> continuous	<u>Vpk</u> pulse	<u>VAC</u> rms 60Hz	<u>Current</u> rms@55C	<u>Current</u> peak	<u>Inductance</u> nH	<u>Width</u> inches	<u>Length</u> inches	<u>Height</u> inches	<u>Weight</u> kg
26000	700	825	180	400	30000	52	6.63	13.50	24.00	45
50000	700	825	180	700	40000	29	6.75	22.00	28.00	90
3650	900	1050	250	400	30000	48	3.75	13.50	13.00	14
16500	900	1050	250	400	30000	52	6.63	13.50	24.00	45
32000	900	1050	250	700	40000	29	6.75	22.00	28.00	90
2400	1150	1300	290	400	20000	48	3.75	13.50	13.00	14
13500	1150	1300	290	400	30000	52	6.63	13.50	26.75	50
24000	1150	1300	290	700	40000	34	6.75	22.00	32.00	100
12000	1250	1450	315	400	30000	52	6.63	13.50	26.75	50
21000	1250	1450	315	700	40000	29	6.75	22.00	28.00	90
1750	1350	1550	315	400	16000	48	3.75	13.50	13.00	14
2500	1350	1550	315	400	24000	46	5.75	13.50	10.00	18
8000	1350	1550	315	400	30000	52	6.63	13.50	24.00	45
15000	1350	1550	315	700	40000	29	6.75	22.00	28.00	90
3100	1650	2000	480	400	30000	49	5.75	13.50	24.00	39
7000	1650	2000	350	400	30000	54	6.63	13.50	29.00	95
11000	1650	2000	350	700	40000	29	6.75	22.00	28.00	90
4000	2000	2400	375	400	24000	52	6.63	13.50	24.00	45
7500	2000	2400	375	700	40000	28	6.75	22.00	26.00	85
3400	2250	2700	375	400	23000	52	6.63	13.50	24.00	45
4800	2250	2700	375	400	30000	27	6.75	22.00	22.00	70
1600	2500	3000	575	700	30000	49	5.75	13.50	24.00	39
3000	2500	3000	375	700	30000	25	5.75	22.00	20.00	65
5200	2500	3000	375	700	40000	29	6.75	22.00	28.00	90
2000	3200	3600	375	400	15000	52	6.63	13.50	24.00	45
3900	3200	3600	375	700	30000	29	6.75	22.00	28.00	90
1700	3800	4300	375	400	15000	62	6.63	13.50	24.00	45
3200	3800	4300	375	700	30000	34	6.75	22.00	28.00	90
1350	4200	4600	375	400	14000	62	6.63	13.50	24.00	45
2400	4200	4600	375	700	25000	32	6.75	22.00	26.00	85
1050	4600	5000	375	400	12000	62	6.63	13.50	24.00	45
1550	4600	5000	375	700	18000	31	6.75	22.00	22.00	70
900	5000	5500	375	400	12000	62	6.63	13.50	24.00	45
1300	5000	5500	375	700	18000	31	6.75	22.00	22.00	70
700	5400	6000	375	400	10000	62	6.63	13.50	24.00	45
1100	5400	6000	375	700	16000	32	6.75	22.00	24.00	76