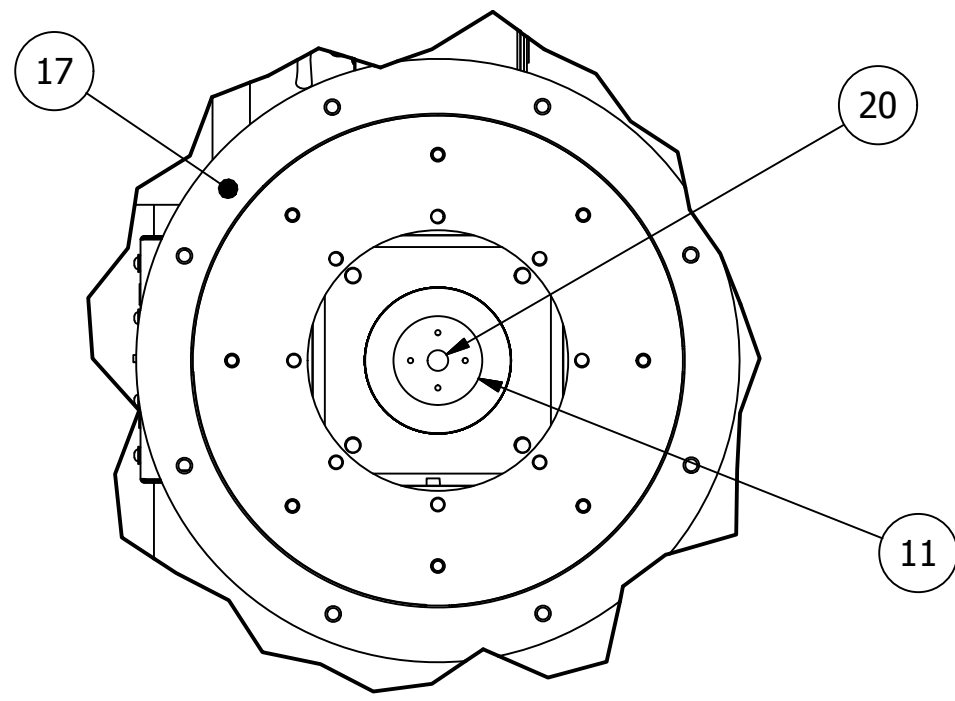
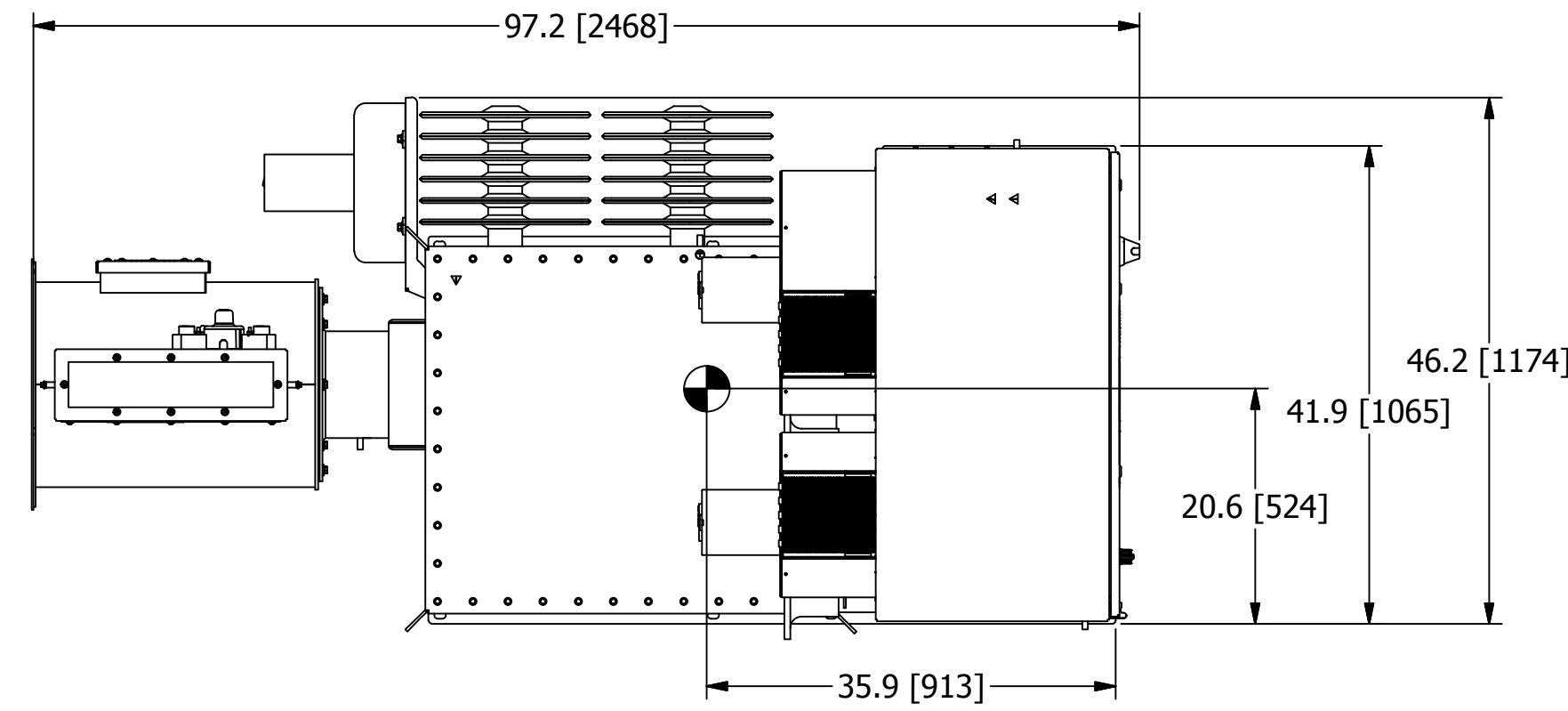


3 PHASE INPUT CIRCUIT BREAKER PER DWG ESPELECT-06
TABS TO ACCEPT 3/8" LUGS, TORQUE TO 252in.-lbs.

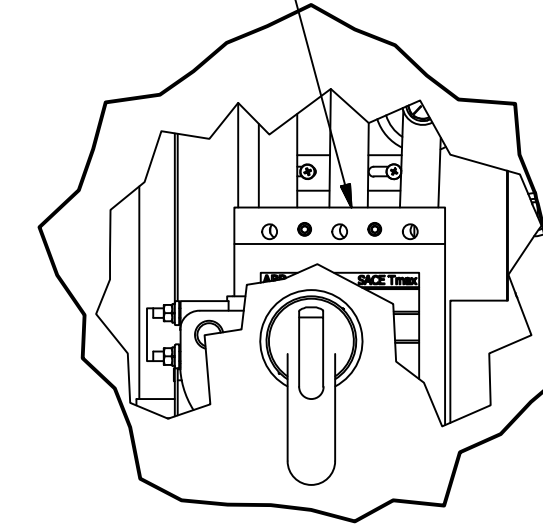
FOR DETAILS REFER TO
DWG ESPELECT-06



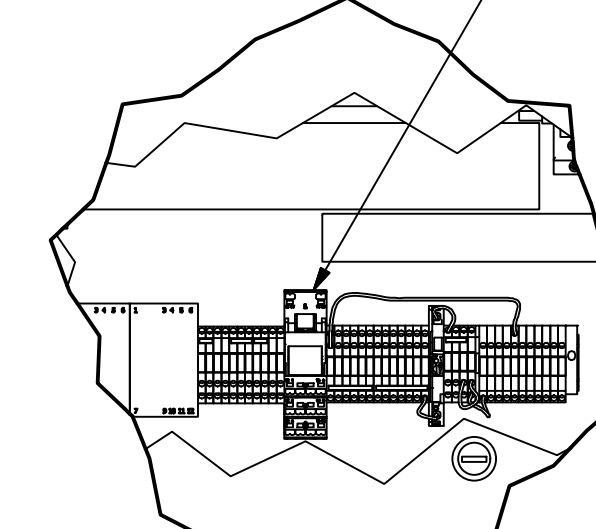
DETAIL A
SCALE 1/7



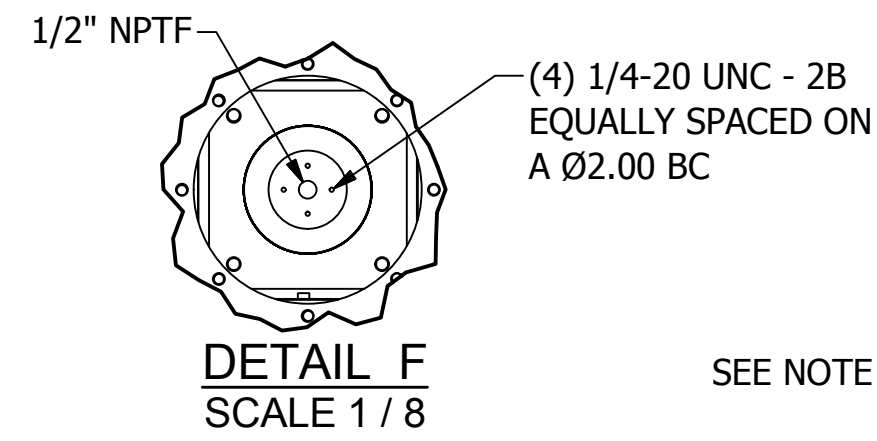
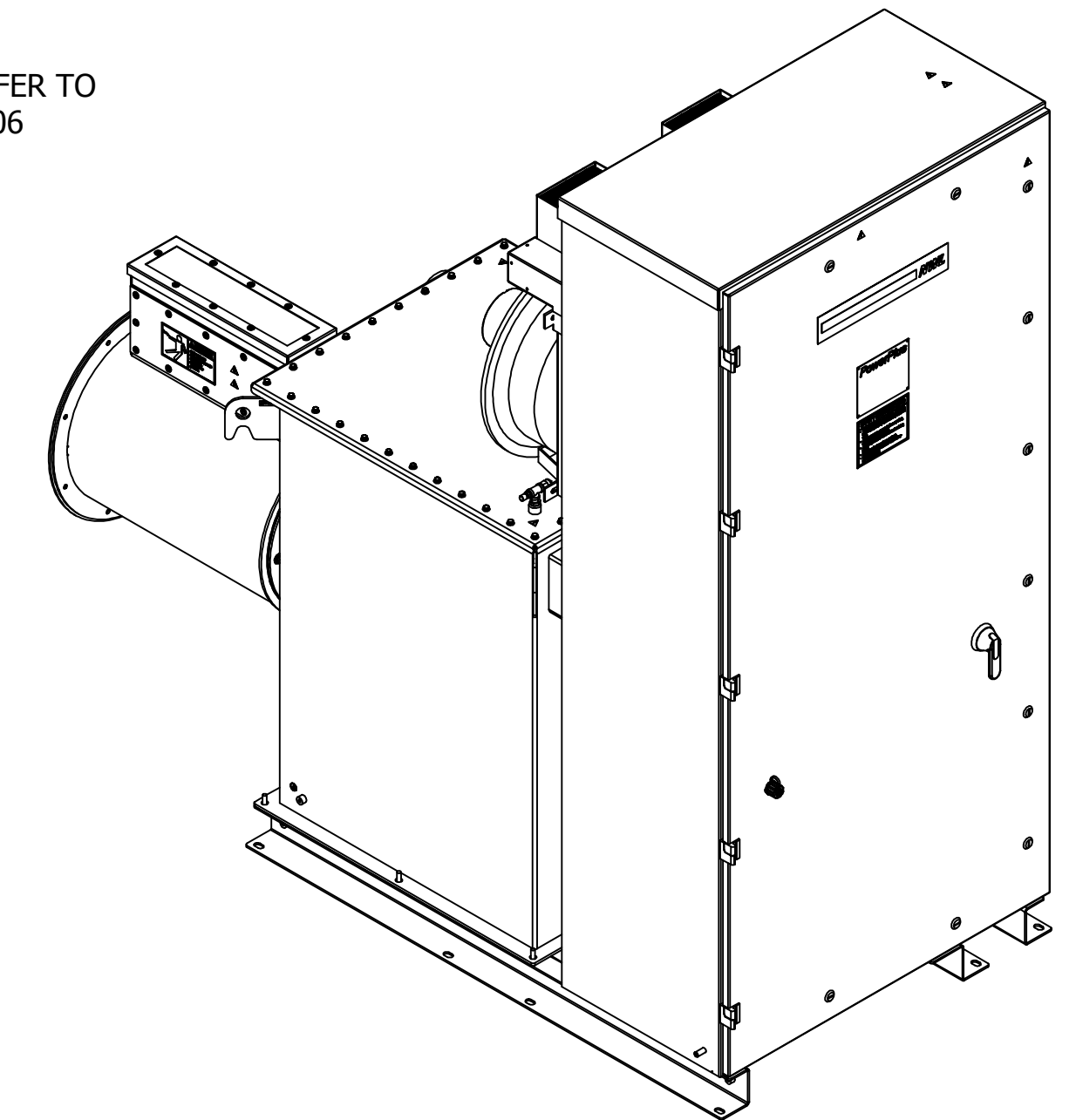
TOP



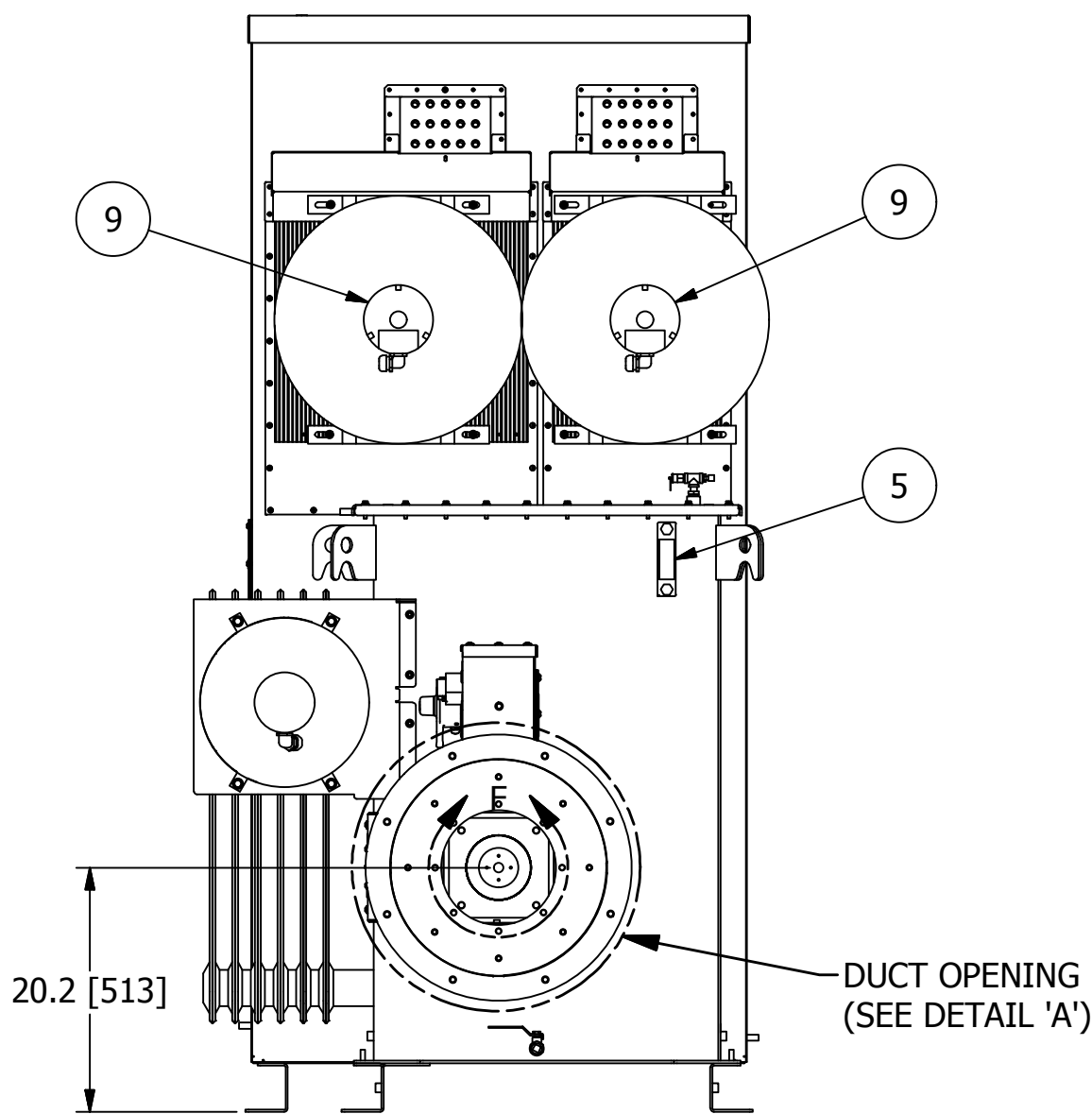
DETAIL C
CIRCUIT BREAKER DETAIL
SCALE 1/5



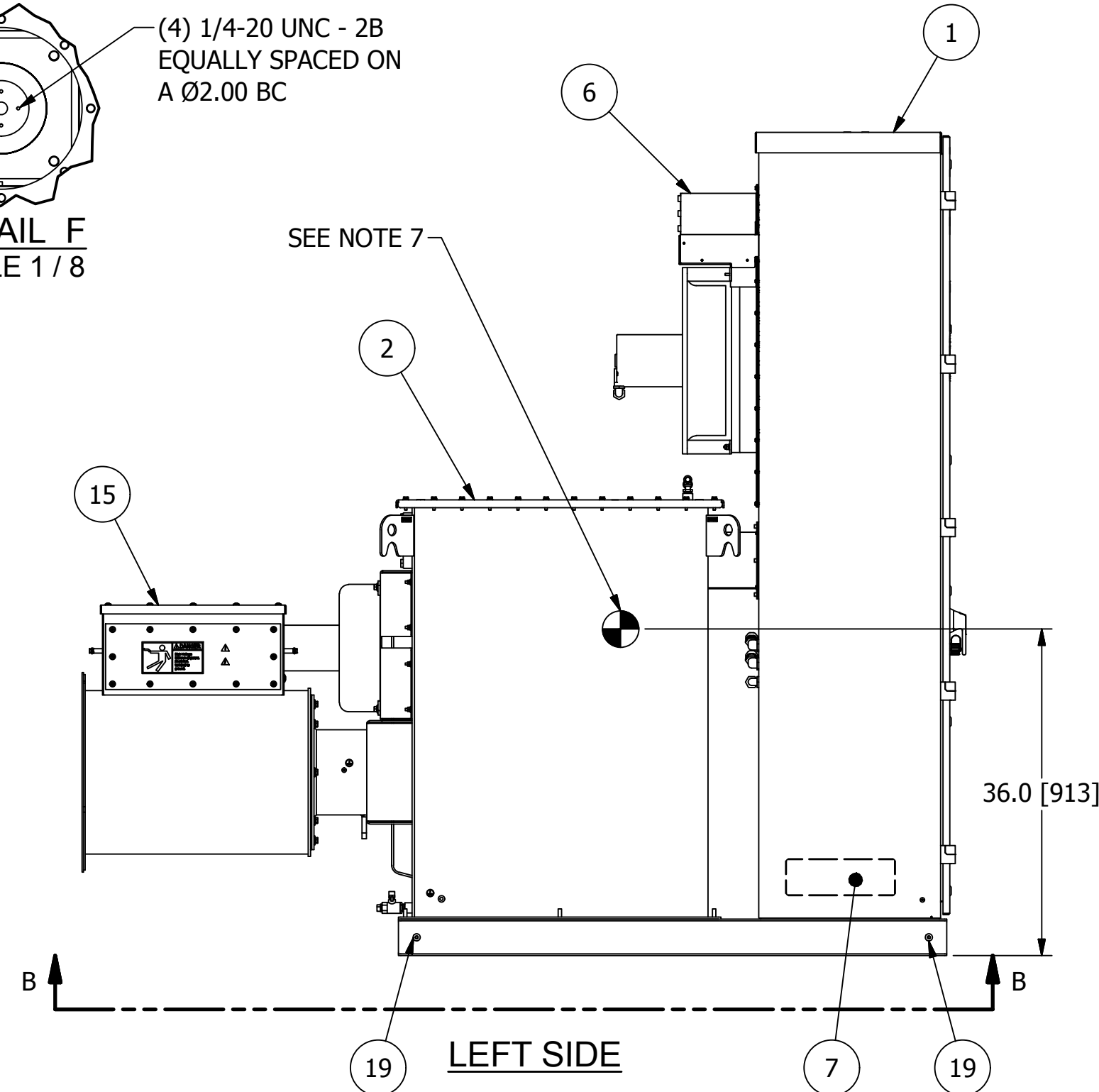
DETAIL D
'2TB' TERMINAL BLOCK RAIL ASSEMBLY
SCALE 1/5



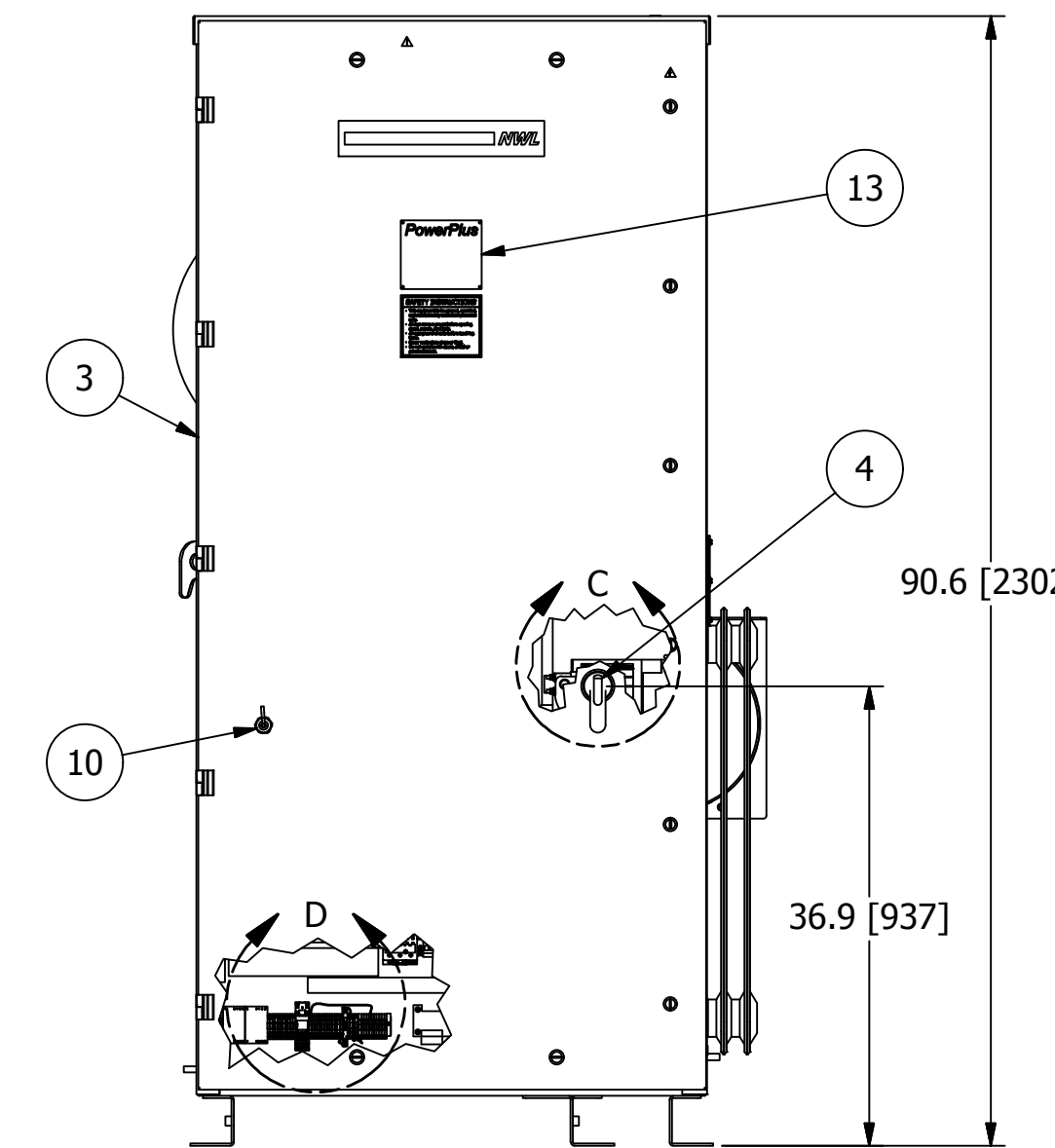
DETAIL F
SCALE 1/8



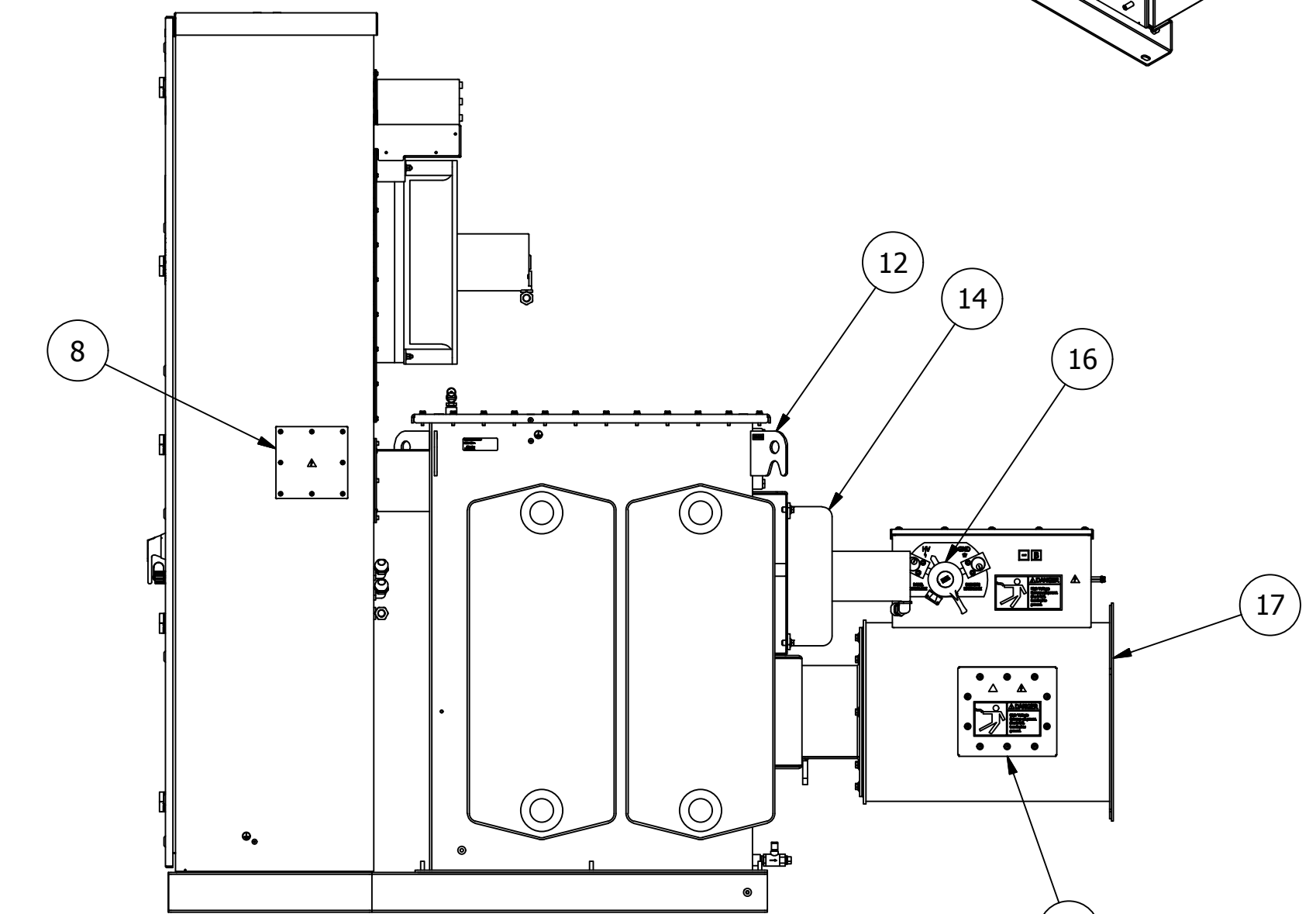
BACK



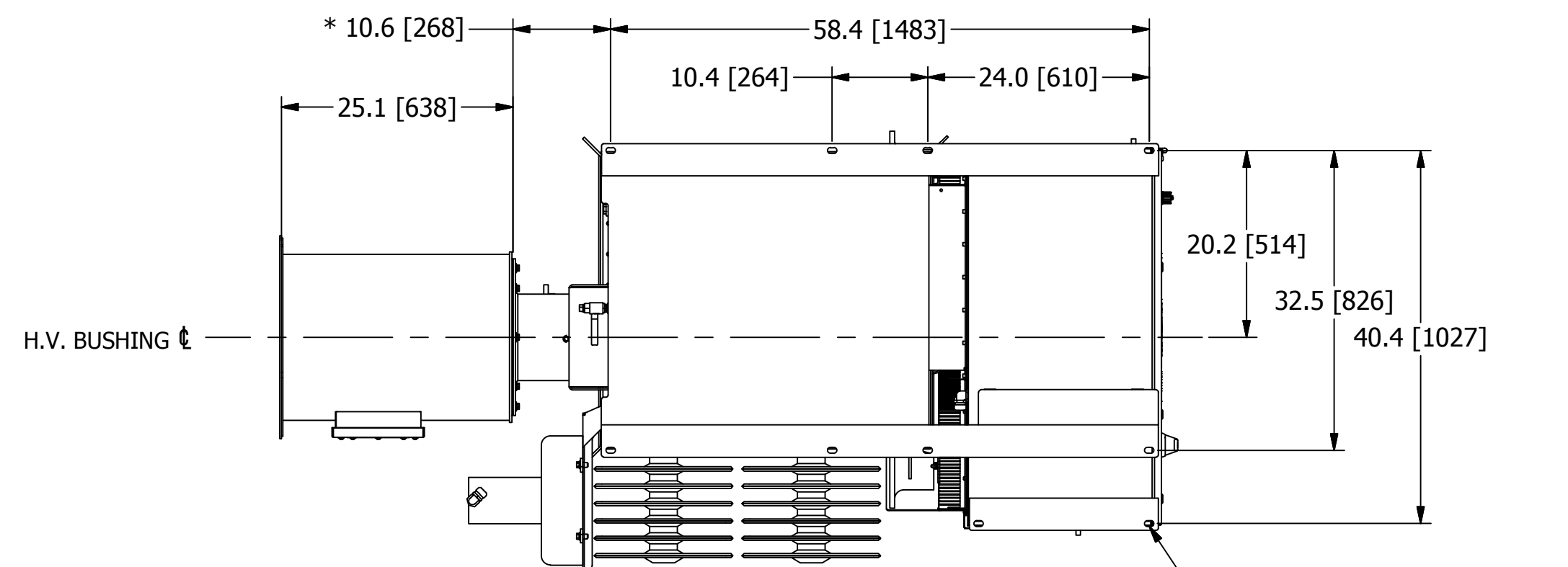
LEFT SIDE



FRONT



RIGHT SIDE



MOUNTING ARRANGEMENT FROM BOTTOM VIEW
(VIEW B-B)

* FOR REFERENCE ONLY.
POWERPLUS ASSEMBLY MUST BE FIELD FITTED TO THE H.V. DUCT WORK
PRIOR TO SECURING TO ROOF.

BALLOONED NUMBERS:

- 1 POWERPLUS CONTROLLER CABINET.
- 2 POWERPLUS H.V. TANK.
- 3 ACCESS DOOR TO FUSE/CONTACTOR, 3 PHASE RECTIFIER ASSEMBLY AND CONTROL SECTION. ALLOW 42" [1067] OF CLEARANCE FROM THIS FACE FOR DOOR SWING.
- 4 INPUT CIRCUIT BREAKER SWITCH HANDLE W/ INTERLOCK PROVISION INSIDE. FOR ACCEPTABLE INTERLOCKS SEE DWG C140616.
- 5 LIQUID LEVEL GAUGE AND TEMPERATURE GAUGE FOR OIL TANK.
- 6 CONTROLLER HEAT EXCHANGER (2) PLACES.
- 7 RECOMMENDED CUSTOMER CONTROLS AND FEEDBACK CONDUIT LOCATION.
- 8 GLAND PLATE FOR 3 PHASE POWER AND GROUND.
- 9 COOLING FAN FOR IGBT HEATSINK ASSEMBLY (2) PLACES.
- 10 WEATHER TIGHT, RJ45 CONNECTOR FOR NWL HMI CONNECTION.
- 11 HIGH VOLTAGE SEMI-OUTDOOR BUSHING.
- 12 LIFTING HOOKS (4) PLACES.
- 13 RATINGS NAMEPLATE, ALUMINUM PHOTO ETCHED.
- 14 RADIATOR COOLING FAN.
- 15 GROUND SWITCH.
- 16 H.V. SWITCH MECHANISM WITH VIEWING WINDOW AND INTERLOCK PROVISIONS. FOR INTERLOCK AND BOLT EXTENSION INFORMATION SEE DWG A105812.

- 17 SIDE EXIT 18" DUCT MOUNTING PROVISION. INCLUDES GASKETS AND 3/8-16 HARDWARE (8) PLACES ON A 20" [508] DIA B.C. WITH 18" [457] DIA DUCT OPENING.
- 18 REMOVEABLE ACCESS PANEL FOR BUSHING CONNECTION AND MAINTENANCE.
- 19 EQUIPMENT SAFETY GROUND TERMINATION, 3/8-16 GROUND BOSS.
- 20 OPTIONAL METRIC ADAPTER FOR H.V. BUSHING CONNECTION. CONVERTS 1/2" NPT TO M20-1.5. SEE DWG A117570.

SHIPPING NOTES:

- 1. POWERPLUS WILL BE SHIPPED WITH ROUND GROUND SWITCH.
- 2. POWERPLUS WILL BE SHIPPED WITH DUCT GASKET AND MOUNTING HARDWARE.
- 3. POWERPLUS SHIPPED WEIGHT: 3500lbs [1588kg]
- 4. ROUND GROUND SWITCH SHIPPED WEIGHT: 120lbs [54kg]
- 5. DIELECTRIC FLUID VOLUME: 145gal [549L]
- 6. FINISH: ENAMEL, ASA 61, APPROX. RAL 7042.
- 7. INDICATES CENTER OF GRAVITY

INSTALLATION NOTES:

- 1. POWERPLUS MUST BE MOUNTED ON LEVEL SURFACE OR SHIMMED TO WITHIN 1/8" [3.2] RISE PER 12" [305] RUN.
- 2. COLD ROOF MAY NEED TO BE REINFORCED TO ACCEPT THE WEIGHT OF THE POWERPLUS UNIT.
- 3. MAXIMUM ALLOWABLE DUCT INTERNAL TEMPERATURE: 122°F (50°C). MAXIMUM ALLOWABLE DUCT INTERNAL PRESSURE: 1 PSI (2.04" Hg). THE INSTALLER MUST USE AN ENTRANCE BUSHING IN ROOF TO MEET THESE SPECIFICATIONS.
- 4. POWERPLUS MUST BE GROUNDED TO THE COLD ROOF BY THE END USER. REFER TO DWG B126972 FOR GROUNDING DETAILS.
- 5. ALLOW 100" MINIMUM CLEARANCE ABOVE THE FLOOR TO LIFT AND REMOVE THE T/R RIG ASSEMBLY FROM THE OIL TANK. CLEARANCE DOES NOT INCLUDE RIGGING HEIGHT.
- 6. POWERPLUS AND SWITCH ARE SEALED, RATED NEMA 4/IP56.

ALL DIMENSIONS IN INCHES [mm]

| | | |
|--|-----------|----------------|
| NWL 312 RISING SUN RD BORDENTOWN, NJ 08505 TEL. (609) 298-7300 FAX. (609) 298-1982 | | |
| TITLE: HF ESP, POWERPLUS SERIES 7.5, 172-200kW UNITS, w/ GROUND SWITCH | | |
| SCALE: | APP'D BY: | REVISION DATE: |
| N/A | RJK | 2/15/19 |
| DWG BY: | D.E. | DWG: |
| SDE | RJK | 172-200RD_S7.5 |
| <small>TOLERANCES: (UNLESS OTHERWISE SPECIFIED) ANGLES ±.5 DEG DECIMALS .XX ±.005 FRACTIONS ±. 3/16 DECIMALS .XX ±.005 DECIMALS .XXX ±.005</small> | | |
| <small>NWL PROPRIETARY INFORMATION. NOT TO BE REPRODUCED WITHOUT WRITTEN CONSENT</small> | | |