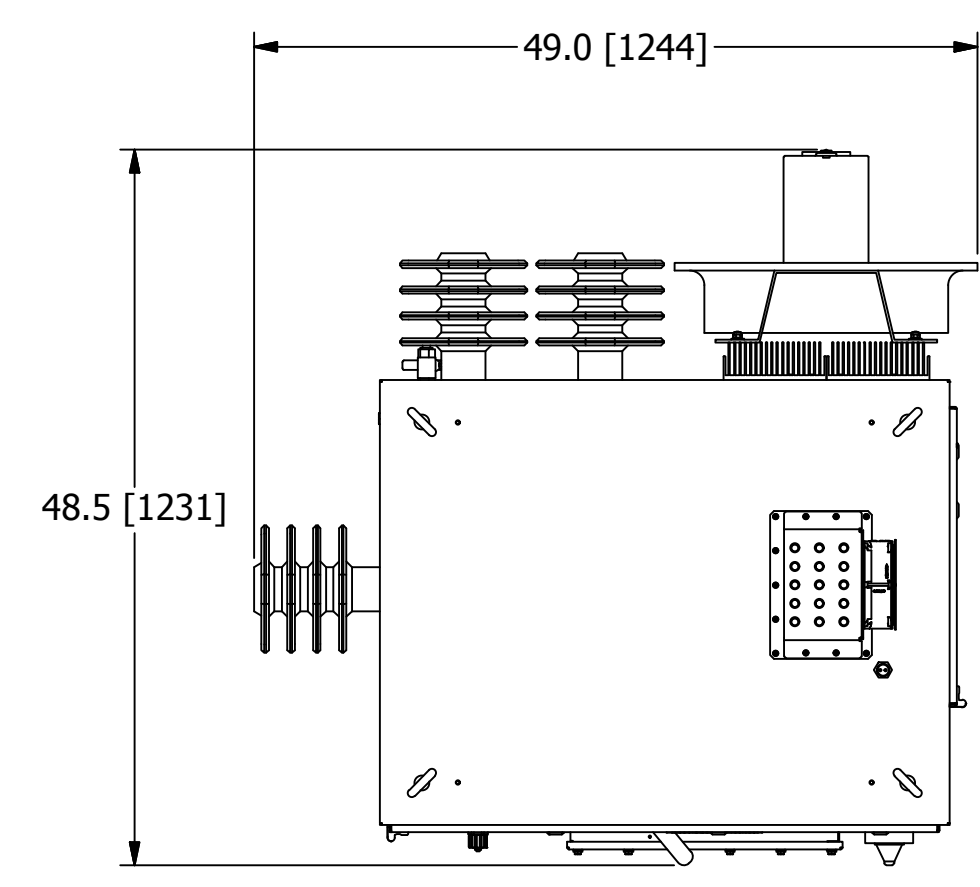
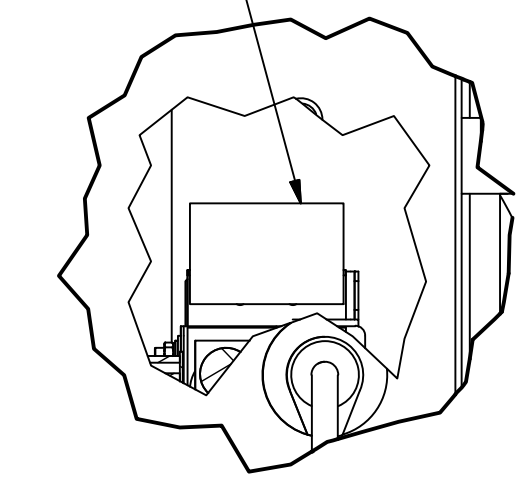


DETAIL A  
SCALE 1 / 7

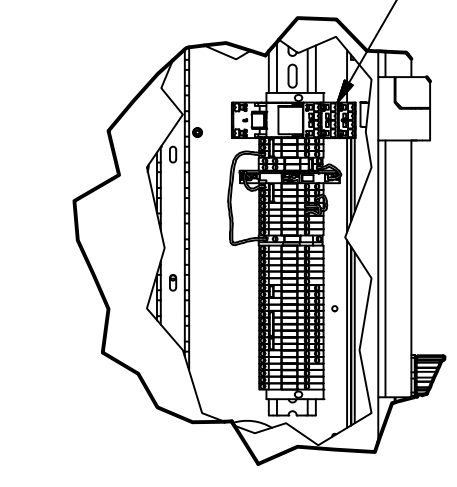


TOP

3 PHASE CIRCUIT BREAKER PER DWG ESPELECT-06  
TABS TO ACCEPT 3/8" LUGS, TORQUE TO 80in-lbs.

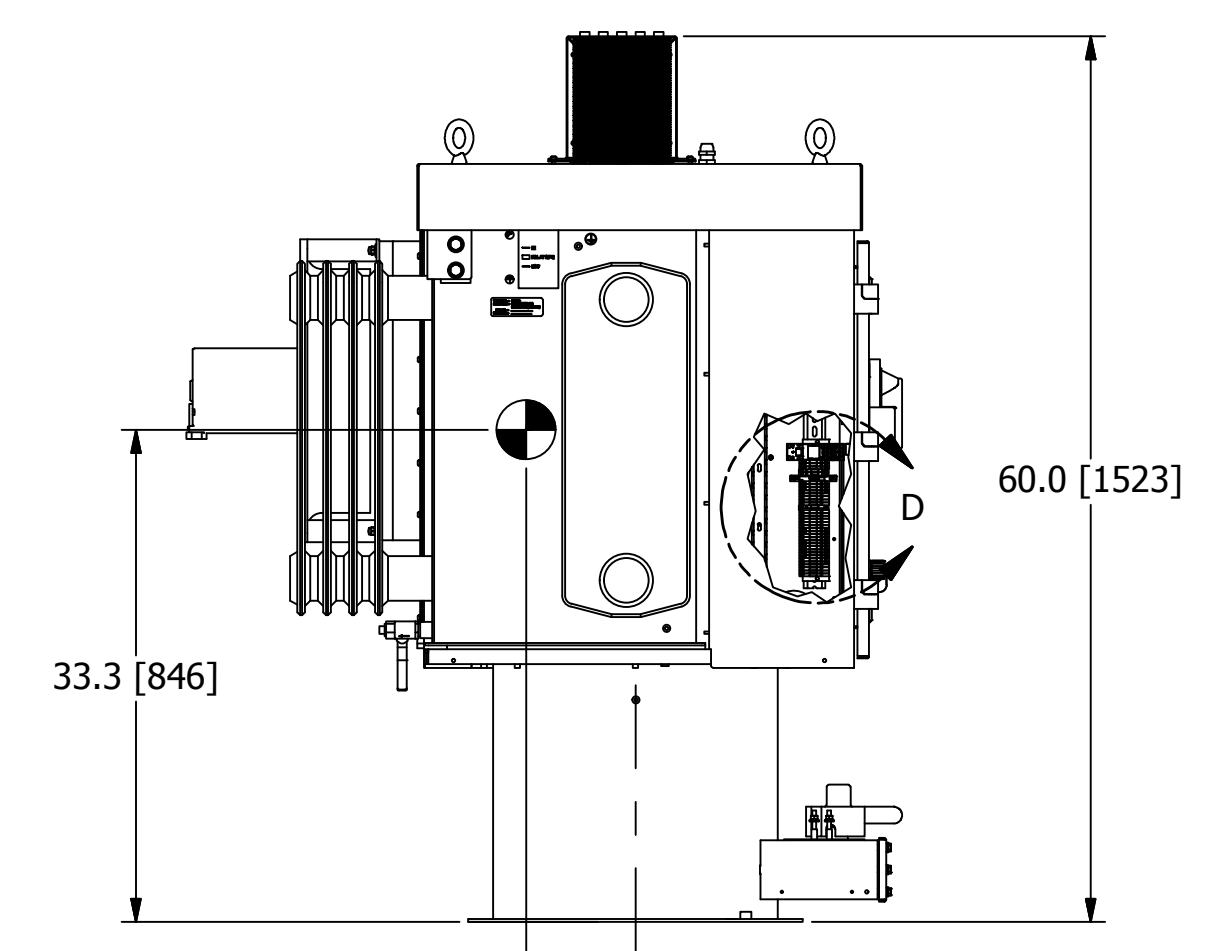
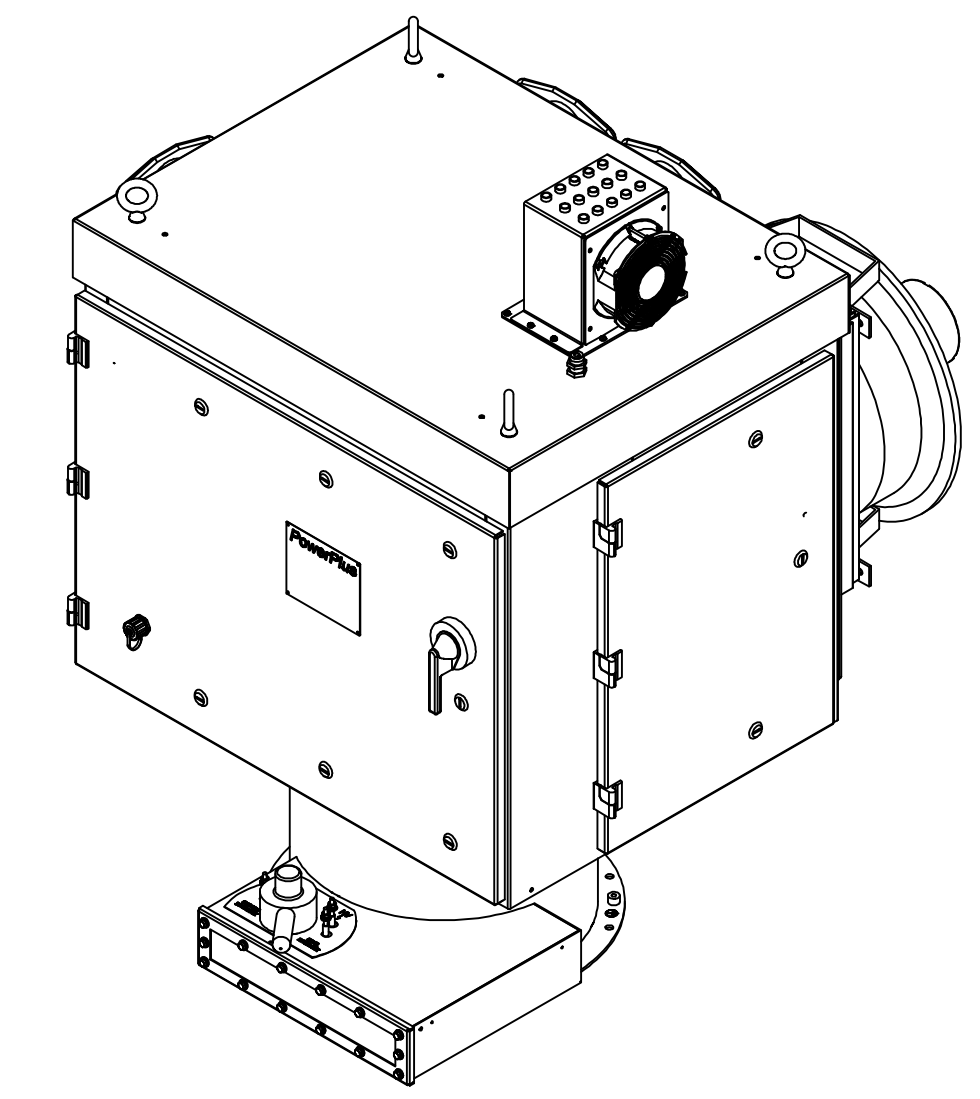


DETAIL C  
CIRCUIT BREAKER DETAIL  
SCALE 1 / 5

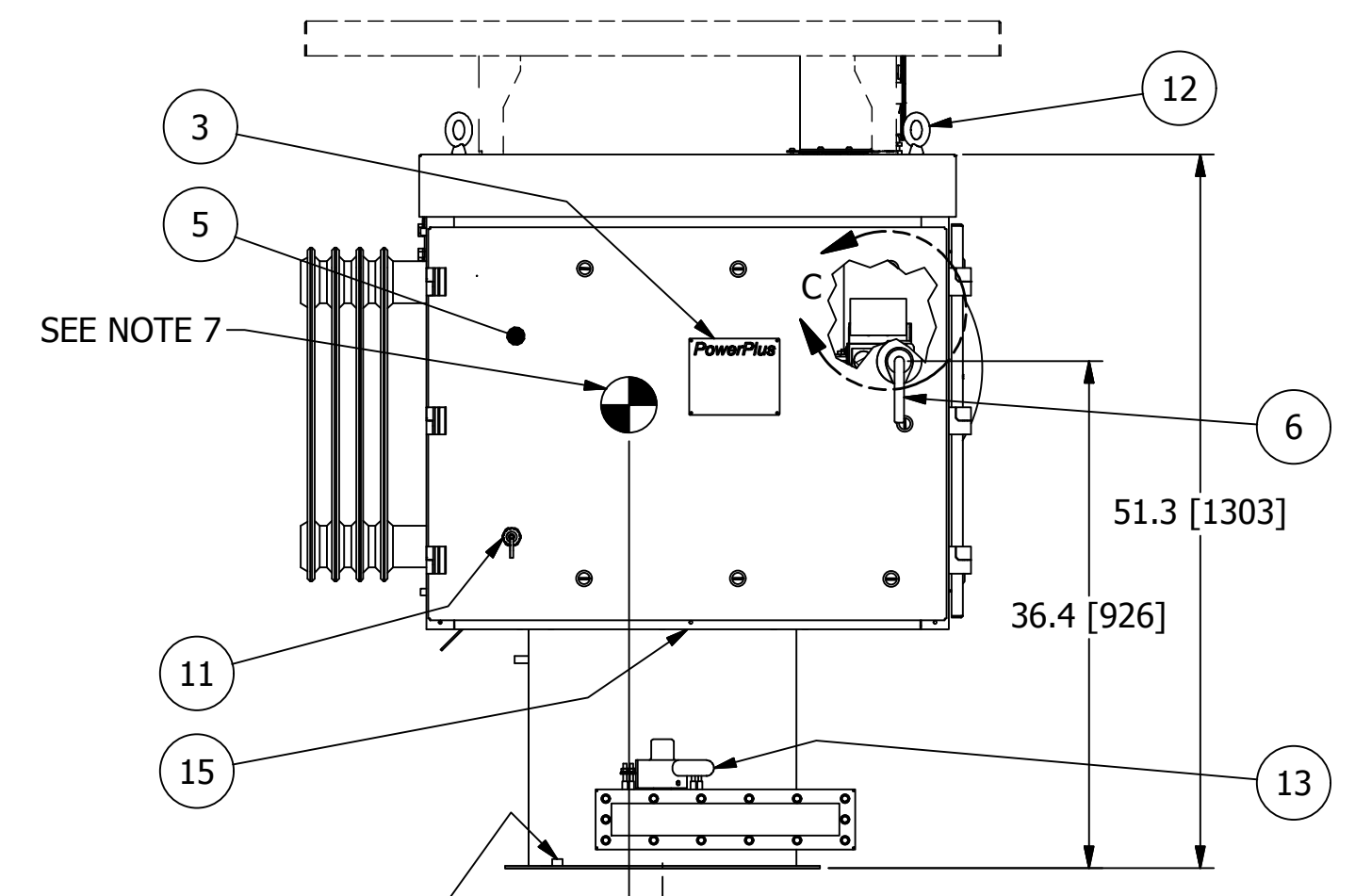


DETAIL D  
'2TB' TERMINAL BLOCK RAIL ASSY  
SCALE 1/6

FOR DETAILS REFER TO  
DWG ESPELECT-06

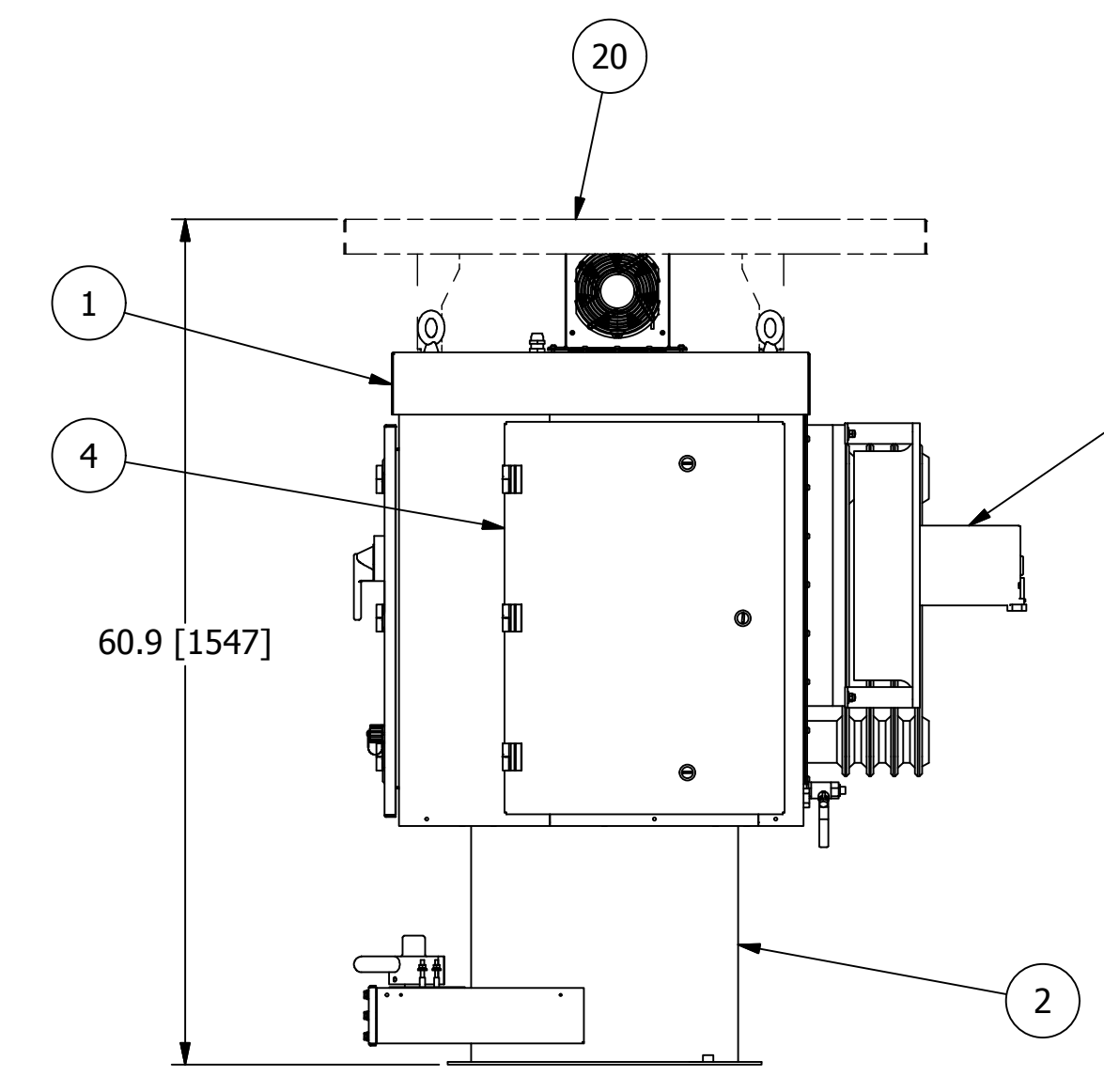


LEFT SIDE

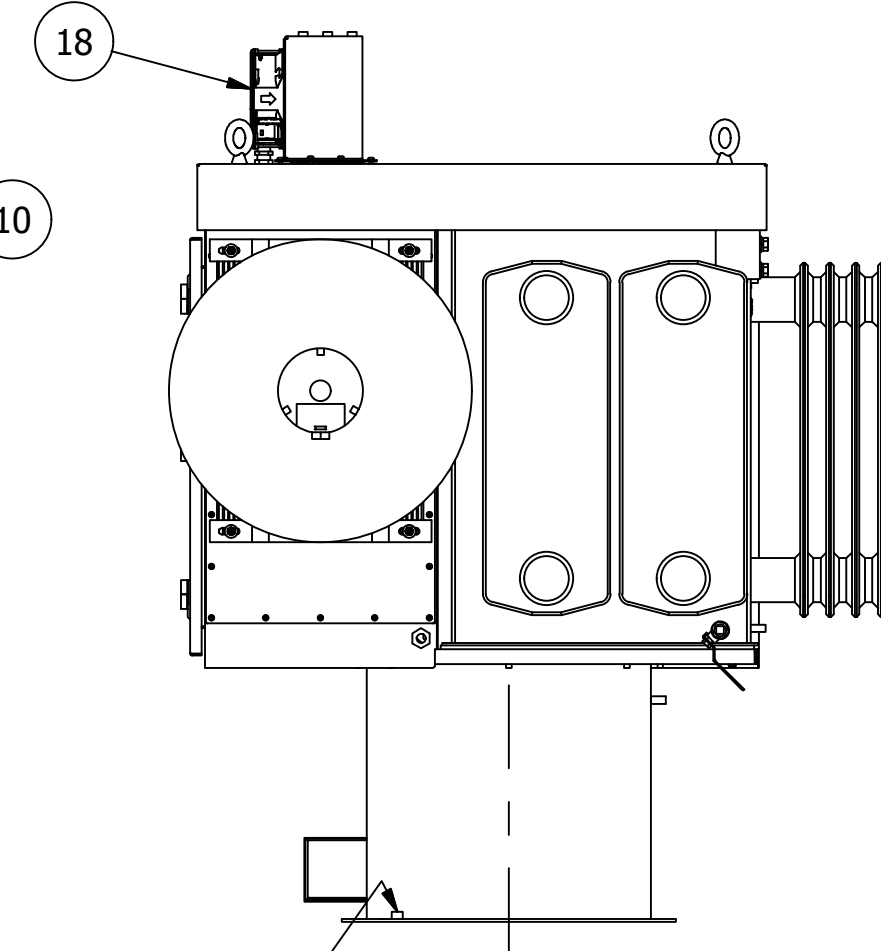


FRONT

SEE NOTE 7



RIGHT SIDE



BACK

**BALLOONED NUMBERS:**

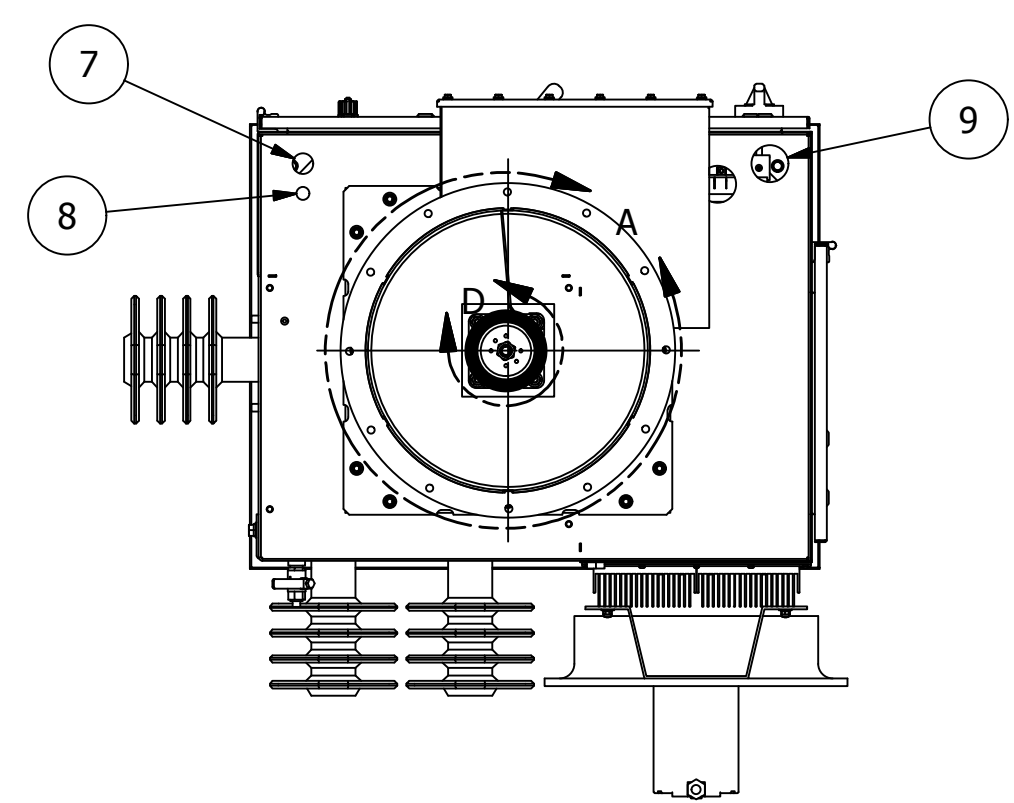
- ① POWERPLUS UNIT.
- ② ROUND BOTTOM EXIT GROUND SWITCH.
- ③ RATINGS NAMEPLATE, ALUMINUM PHOTO ETCHED.
- ④ ACCESS DOOR TO POWER ELECTRONICS SECTION. ALLOW 19" [483] OF CLEARANCE FROM THIS FACE FOR DOOR SWING.
- ⑤ ACCESS DOOR TO SWITCHGEAR AND CONTROL SECTION. ALLOW 37" [940] OF CLEARANCE FROM THIS FACE FOR DOOR SWING.
- ⑥ INPUT CIRCUIT BREAKER SWITCH HANDLE W/ INTERLOCK PROVISION INSIDE. SEE DWG C140616.
- ⑦ 1" [25.4] DIA. CONDUIT HOLE FOR 120V CONTROL WIRING.
- ⑧ 1/2" [12.7] DIA. CONDUIT HOLE FOR LOW VOLTAGE TRANSDUCER AND COMMUNICATION LINK CONDUIT.
- ⑨ 2" [51] DIA. CONDUIT HOLE FOR 3 PHASE POWER AND GROUND.
- ⑩ COOLING FAN FOR IGBT HEATSINK ASSEMBLY.
- ⑪ WEATHER TIGHT, RJ45 CONNECTOR FOR NWL HMI CONNECTION.
- ⑫ LIFTING EYES (4 PLACES).
- ⑬ H.V. SWITCH MECHANISM W/ VIEWING WINDOW AND INTERLOCK PROVISIONS. SEE DWG A105811.
- ⑭ BOTTOM EXIT DUCT FLANGE, 22.63" [575] O.D. X 19.00" [483] I.D. w/ (12) 0.50" [12.7] DIA. HOLES EQUALLY SPACED ON A 21.44" [545] DIA. BOLT CIRCLE (GASKET NOT INCLUDED).
- ⑮ S.S. GROUND CABLE TO GROUND EACH SECTION, INCLUDING ACCESS COVERS.
- ⑯ HIGH VOLTAGE SEMI-OUTDOOR BUSHING, SEE DETAIL 'A'.
- ⑰ OPTIONAL METRIC ADAPTER FOR H.V. BUSHING CONNECTION. CONVERTS 1/2" NPT TO M20-1.5. SEE DWG A117570.
- ⑱ HEAT EXCHANGER ASSEMBLY.
- ⑲ EQUIPMENT SAFETY GROUND TERMINATION, 3/8-16 GROUND BOSS.
- ⑳ OPTIONAL SUN SHIELD MUST BE SHIPPED SEPARATELY AND INSTALLED IN THE FIELD.

**SHIPPING NOTES:**

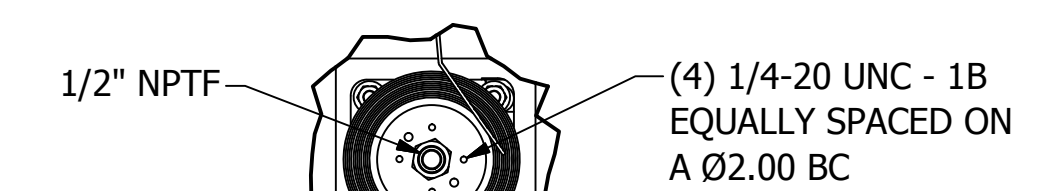
- 1. POWERPLUS WILL BE SHIPPED WITH ROUND GROUND SWITCH.
- 2. POWERPLUS AND SWITCH COMBINED SHIPPING WEIGHT: 1100lbs [499kg]
- 3. GROUND SWITCH SHIPPING WEIGHT: 75lbs [35kg]
- 4. DIELECTRIC FLUID VOLUME: 29gal [110L]
- 5. FINISH: ENAMEL, ASA 61, APPROX. RAL 7042.
- 6. INDICATES CENTER OF GRAVITY.

**INSTALLATION NOTES:**

- 1. POWERPLUS MUST BE MOUNTED ON LEVEL SURFACE OR SHIMMED TO WITHIN 1/8" [3.2] RISE PER 12" [305] RUN.
- 2. MAXIMUM FLOOR LOADING: 305lbs/sq.ft [1489kgs/sq.m]
- 3. COLD ROOF MAY NEED TO BE REINFORCED TO ACCEPT THE WEIGHT OF THE POWERPLUS UNIT.
- 4. MAXIMUM ALLOWABLE DUCT INTERNAL TEMPERATURE: 122°F (50°C). MAXIMUM ALLOWABLE DUCT INTERNAL PRESSURE: 1 PSI (2.04" Hg). THE INSTALLER MUST USE AN ENTRANCE BUSHING IN ROOF TO MEET THESE SPECIFICATIONS.
- 5. POWERPLUS MUST BE GROUNDED TO THE COLD ROOF BY THE END USER. REFER TO DWG B126972 FOR GROUNDING DETAILS.
- 6. ALLOW 120" MINIMUM CLEARANCE ABOVE THE FLOOR TO LIFT AND REMOVE THE T/R RIG ASSEMBLY FROM THE OIL TANK. CLEARANCE DOES NOT INCLUDE RIGGING HEIGHT.
- 7. POWERPLUS AND SWITCH ARE SEALED, RATED NEMA 4/IP56.



BOTTOM



DETAIL D  
SCALE 1 / 6

ALL DIMENSIONS IN INCHES [mm]

<b>NWL</b> 312 RISING SUN RD BORDENTOWN, NJ 08505 TEL. (609) 298-7300 FAX. (609) 298-1982		
TITLE: HF ESP, POWERPLUS SERIES 7.5, 45-70kW UNITS, w/ ROUND GROUND SWITCH		
SCALE: N/A	APP'D BY: RJK	REVISION DATE: 2/15/19
DWG BY: SDE	D.E. RJK	DWG: 45-70RD_S7.5
TOLERANCES: (UNLESS OTHERWISE SPECIFIED) ANGLES: +/5 DEG DECIMALS: .XX +/0.05 FRACTIONS: +/ 3/16		DECIMALS: .XX +/0.1 DECIMALS: .XXX +/0.05 DECIMALS: .XXX +/0.05
NWL PROPRIETARY INFORMATION NOT TO BE REPRODUCED WITHOUT WRITTEN CONSENT		