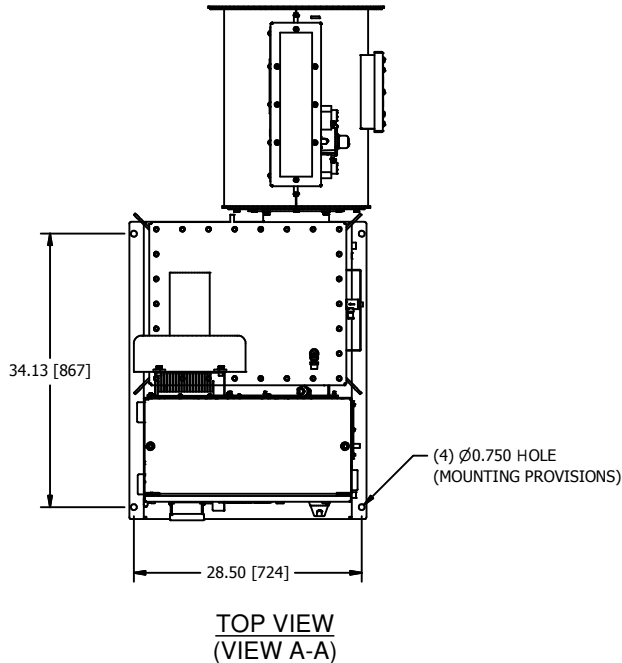
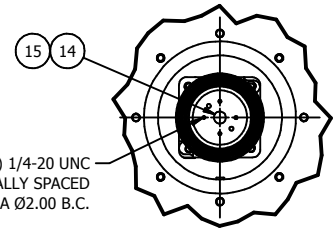
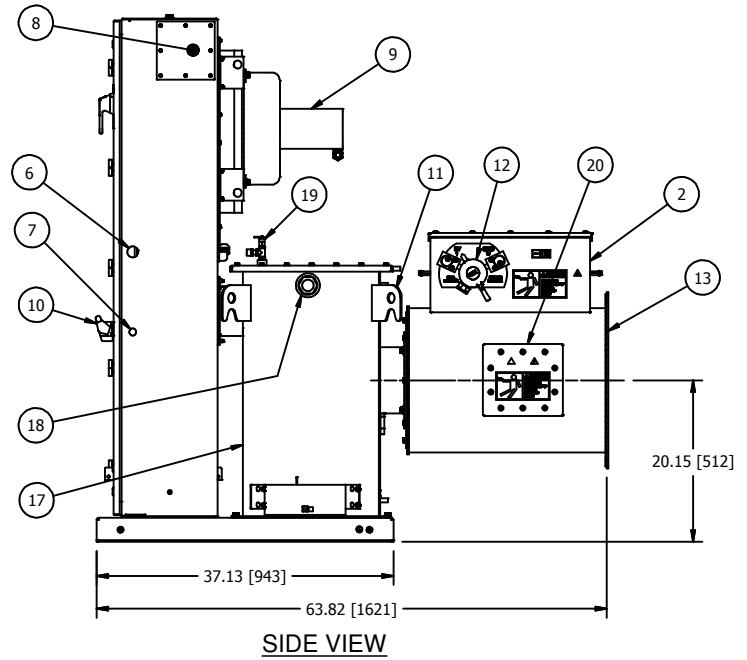
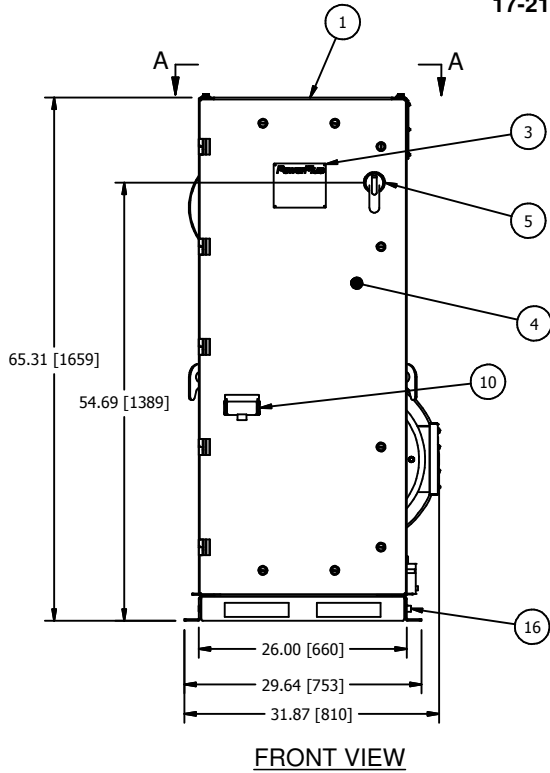


2

1

**HF ESP, POWERPLUS SERIES**  
**17-21kW UNITS w/GROUND SWITCH**  
 (TALL ENCLOSURE)

B



- 1 POWERPLUS UNIT
- 2 GROUND SWITCH.
- 3 RATINGS NAMEPLATE, ALUMINUM PHOTO ETCHED.
- 4 SWITCHGEAR AND CONTROL SECTION WITH HINGED DOOR. ALLOW 27" [686] OF CLEARANCE FROM THIS FACE FOR DOOR SWING.
- 5 INPUT CIRCUIT BREAKER SWITCH HANDLE WITH INTERLOCK PROVISION INSIDE. FOR ACCEPTABLE INTERLOCKS SEE DWG C140616.
- 6 1" [25.4] DIA. CONDUIT HOLE FOR 120V CONTROL WIRING.
- 7 1/2" [12.7] DIA. CONDUIT HOLE FOR LOW VOLTAGE COMMUNICATION AND OPTIONAL TRANSDUCER CONDUIT.
- 8 GLAND PLATE FOR 3 PHASE POWER AND GROUND.
- 9 COOLING FAN FOR IGBT HEATSINK ASSEMBLY (USED ON 8 - 21kW UNITS ONLY).
- 10 EZ SCOPE PORT WITH RJ45 SOCKET FOR KEYPAD DISPLAY CONNECTION AND BNC CONNECTORS FOR MAKING EXTERNAL kV AND mA MEASUREMENTS.
- 11 LIFTING HOOKS (4 PLACES).
- 12 H.V. SWITCH MECHANISM WITH VIEWING WINDOW AND INTERLOCK PROVISIONS. FOR INTERLOCK AND BOLT EXTENSION INFORMATION SEE DWG A105812.
- 13 SIDE EXIT 18" [457] DUCT MOUNTING PROVISION. INCLUDES GASKETS AND 3/8-16 HARDWARE (8) PLACES ON A 20" [508] DIA. B.C. WITH 18" [457] DIA. DUCT OPENING.
- 14 1/2" NPT OUTPUT CONNECTION.
- 15 OPTIONAL METRIC ADAPTER FOR H.V. BUSHING CONNECTION. CONVERTS 1/2" NPT TO M20-1.5. SEE DWG A117570.
- 16 EQUIPMENT SAFETY GROUND TERMINATION, 3/8-16 GROUND BOSS.
- 17 HIGH VOLTAGE OIL TANK.
- 18 OIL LEVEL SIGHT GLASS.
- 19 PRESSURE RELIEF VALVE.
- 20 REMOVABLE ACCESS PANEL FOR BUSHING CONNECTION AND MAINTENANCE.

## NOTES:

1. POWERPLUS MUST BE MOUNTED ON LEVEL SURFACE OR SHIMMED TO WITHIN 1/8" [3.2] RISE PER 12" [305] RUN.
2. COLD ROOF MAY NEED TO BE REINFORCED TO ACCEPT THE WEIGHT OF THE POWERPLUS UNIT.
3. MAXIMUM ALLOWABLE DUCT INTERNAL TEMPERATURE: 122°F (50°C). MAXIMUM ALLOWABLE DUCT INTERNAL PRESSURE: 1 PSI (2.04" Hg). THE INSTALLER MUST USE AN ENTRANCE BUSHING IN ROOF TO MEET THESE SPECIFICATIONS.
4. POWERPLUS MUST BE GROUNDED TO THE COLD ROOF BY THE END USER. REFER TO DWG B125481 FOR GROUNDING DETAILS.

APPROX. WEIGHT WITH DISCONNECT GROUND SWITCH: 1050bs (477kg).  
 DIELECTRIC FLUID VOLUME: 41gal (154L).  
 FINISH: ENAMEL, ASA 61, APPROX. RAL 7042.  
 TANK AND CONTROL ENCLOSURE RATED NEMA 4/IP56.

ALL DIMENSIONS IN INCHES [mm]

DATA SHEET: ESP17-21RD-T-C

REVISION DATE: 10/14/15

APPROVED BY: RJK