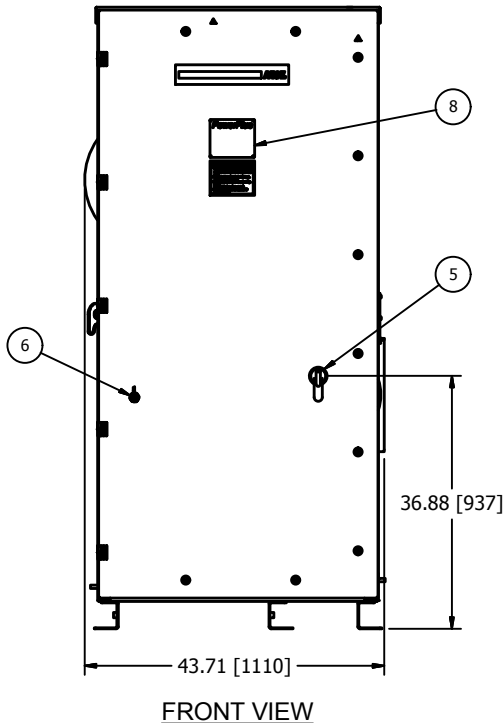
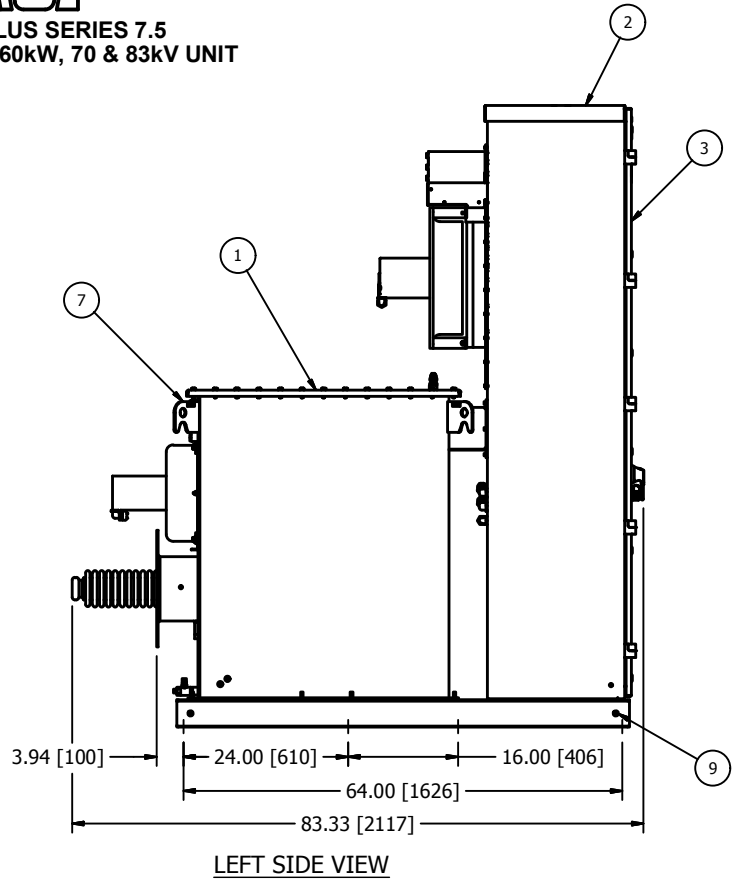
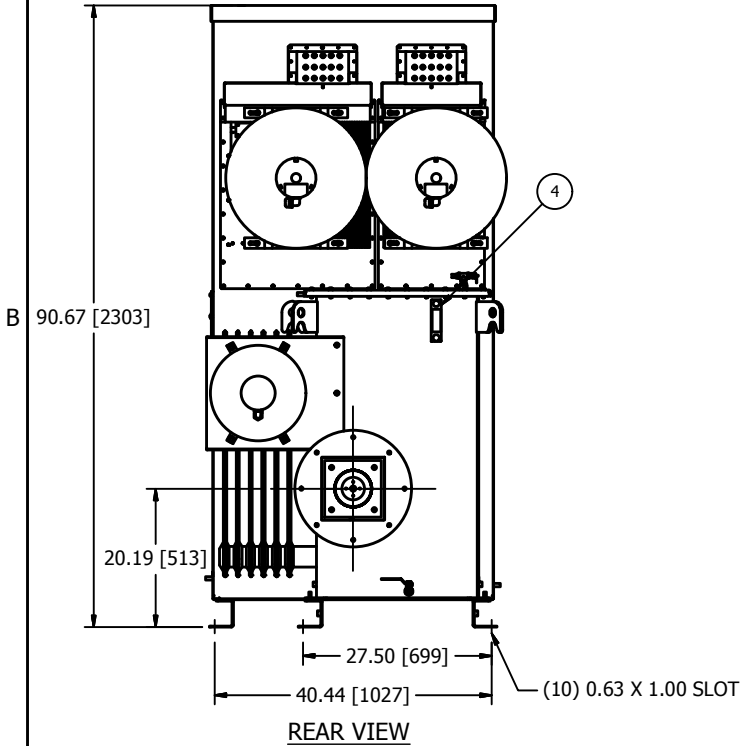


2

1



POWERPLUS SERIES 7.5
400VAC, 128 & 160kW, 70 & 83kV UNIT



- ① POWERPLUS H.V. TANK
- ② POWERPLUS CONTROLLER UNIT.
- ③ ACCESS DOOR TO CIRCUIT BREAKER TERMINALS, FUSES AND 3 PHASE RECTIFIERS. ALLOW 42" [1067] OF CLEARANCE FROM THIS FACE FOR DOOR SWING.
- ④ LIQUID LEVEL GAUGE AND TEMPERATURE GAUGE FOR OIL TANK
- ⑤ INPUT CIRCUIT BREAKER SWITCH HANDLE WITH INTERLOCK PROVISION INSIDE. FOR ACCEPTABLE INTERLOCKS SEE DWG C140616.
- ⑥ WEATHER TIGHT, RJ45 CONNECTOR FOR NWL HMI CONNECTION.
- ⑦ LIFTING HOOKS (4 PLACES).
- ⑧ RATINGS NAMEPLATE, ALUMINUM PHOTO ETCHED.
- ⑨ EQUIPMENT SAFETY GROUND TERMINATION, 3/8-16 GROUND BOSS.

ELECTRICAL SPECIFICATIONS

| kW | kVA | Input Voltage 3Ø, 50/60 Hz, ±10% | Output Current mADC | Output Voltage kVDC | Rated Input Current Amps | Circuit Breaker Rating Amps | Losses kW |
|-----|-----|--|------------------------|------------------------|-----------------------------|--------------------------------|-----------|
| 128 | 143 | 400 | 1830 / 1540 | 70 / 83 | 207 | 300 | 7.4 |
| 160 | 180 | 400 | 2285 / 1930 | 70 / 83 | 257 | 400 | 9.3 |

| Min. Ambient Temp. | Max. Avg. Ambient Temp. (24 hr) | Max. Ambient Temp. |
|--------------------|---------------------------------|--|
| -20°C | 40°C | 50°C for up to 4 hours over a 24 hour period |

EXPORT CRATE DIMENSIONS: 92 (2337mm)L x 48 (1219mm)W x 96 (2438mm)H.
 EXPORT CRATE WEIGHT: 4000lbs (1815kg).
 MAXIMUM FLOOR LOADING: 240lbs/sq.ft (1172kgs/sq.m).
 DIELECTRIC FLUID VOLUME: 134 gal (507L).
 FINISH: ENAMEL, ASA 61, APPROX. RAL 7042.
 TANK AND CONTROL ENCLOSURE RATED NEMA 4/IP56.

DATA SHEET: 400_160_83_S7.5
 REVISION DATE: 2/15/19
 APPROVED BY: RJK

ALL DIMENSIONS IN INCHES [mm]