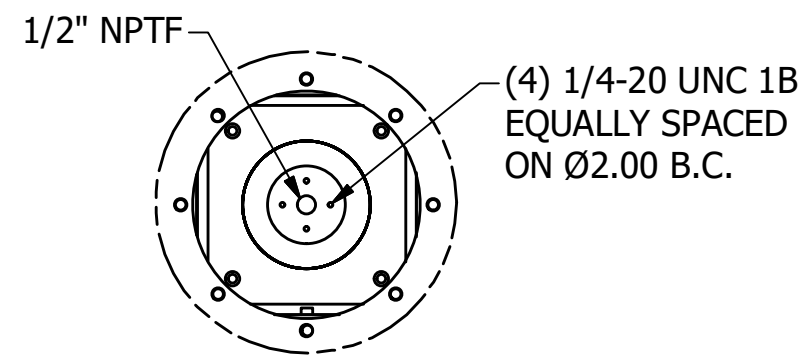
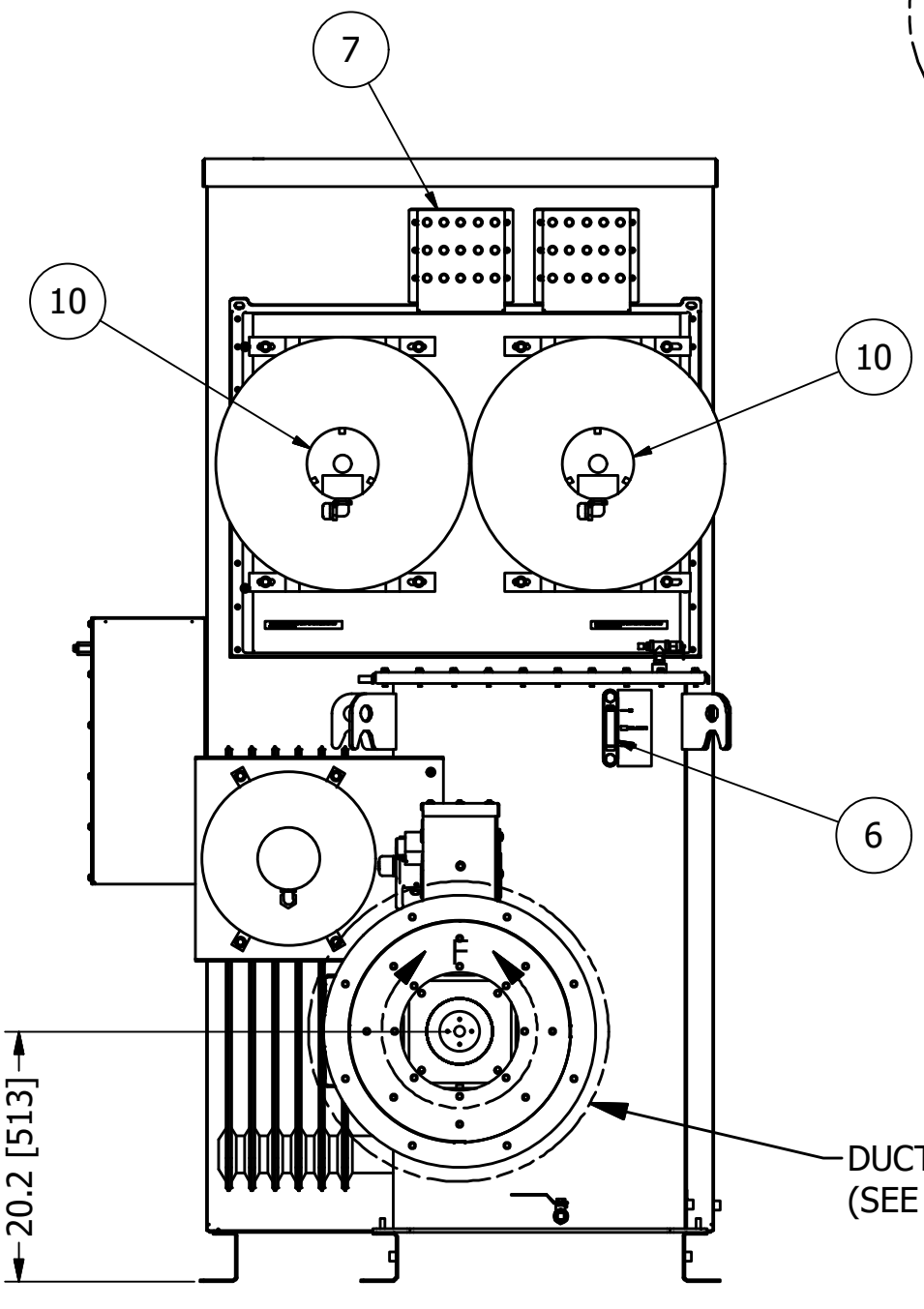


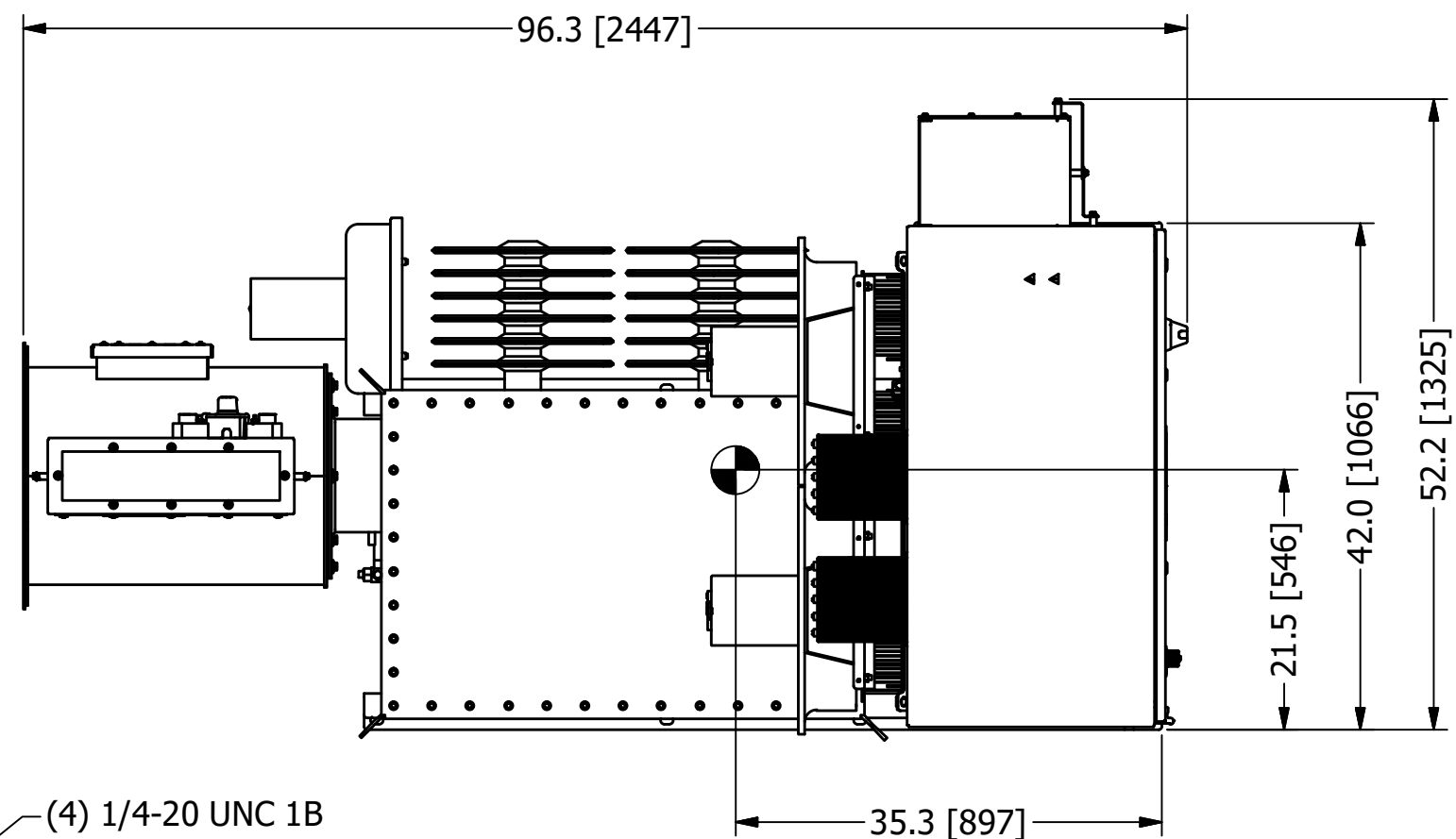
DETAIL A
SCALE 1 / 7



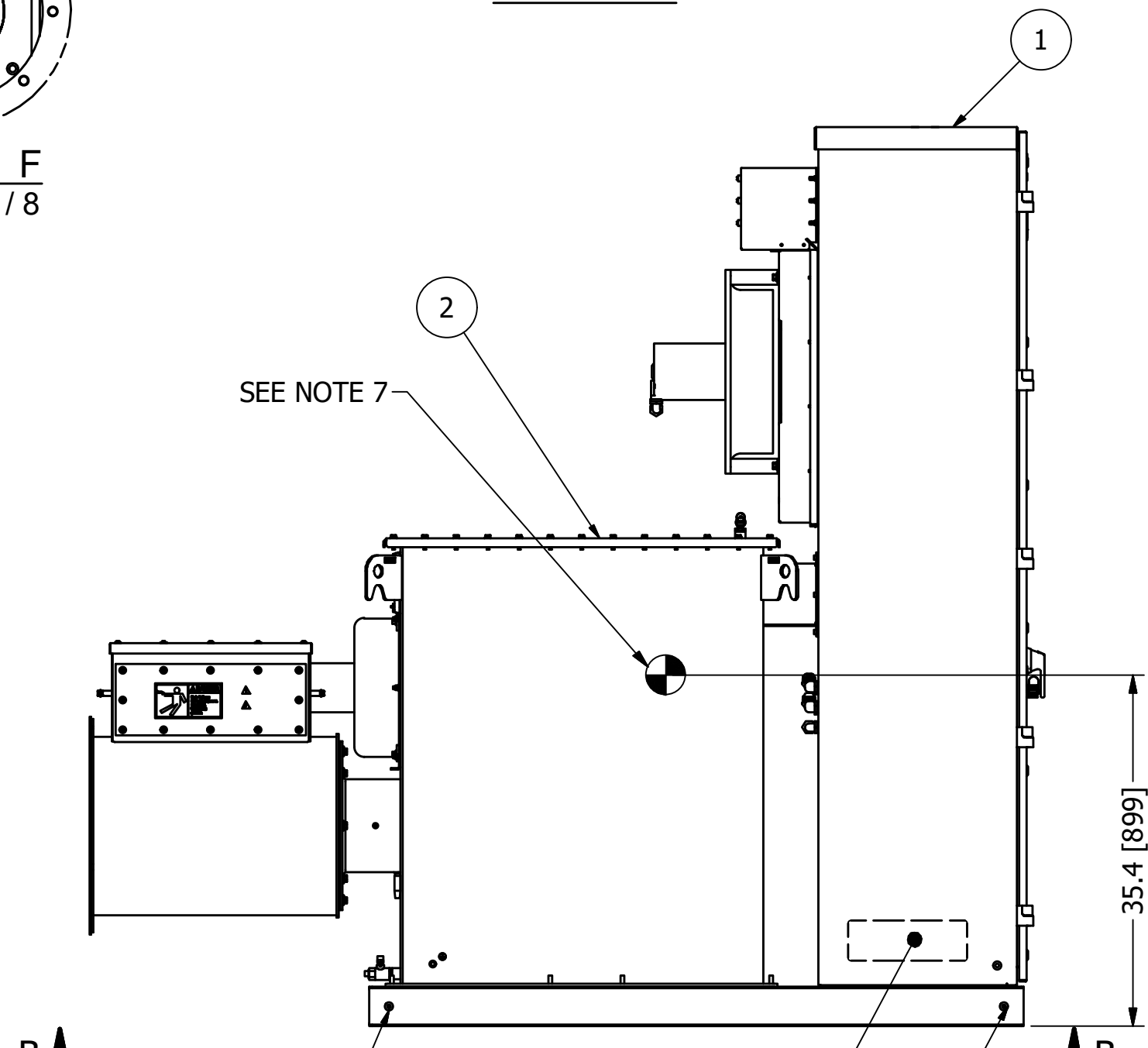
DETAIL F
SCALE 1 / 8



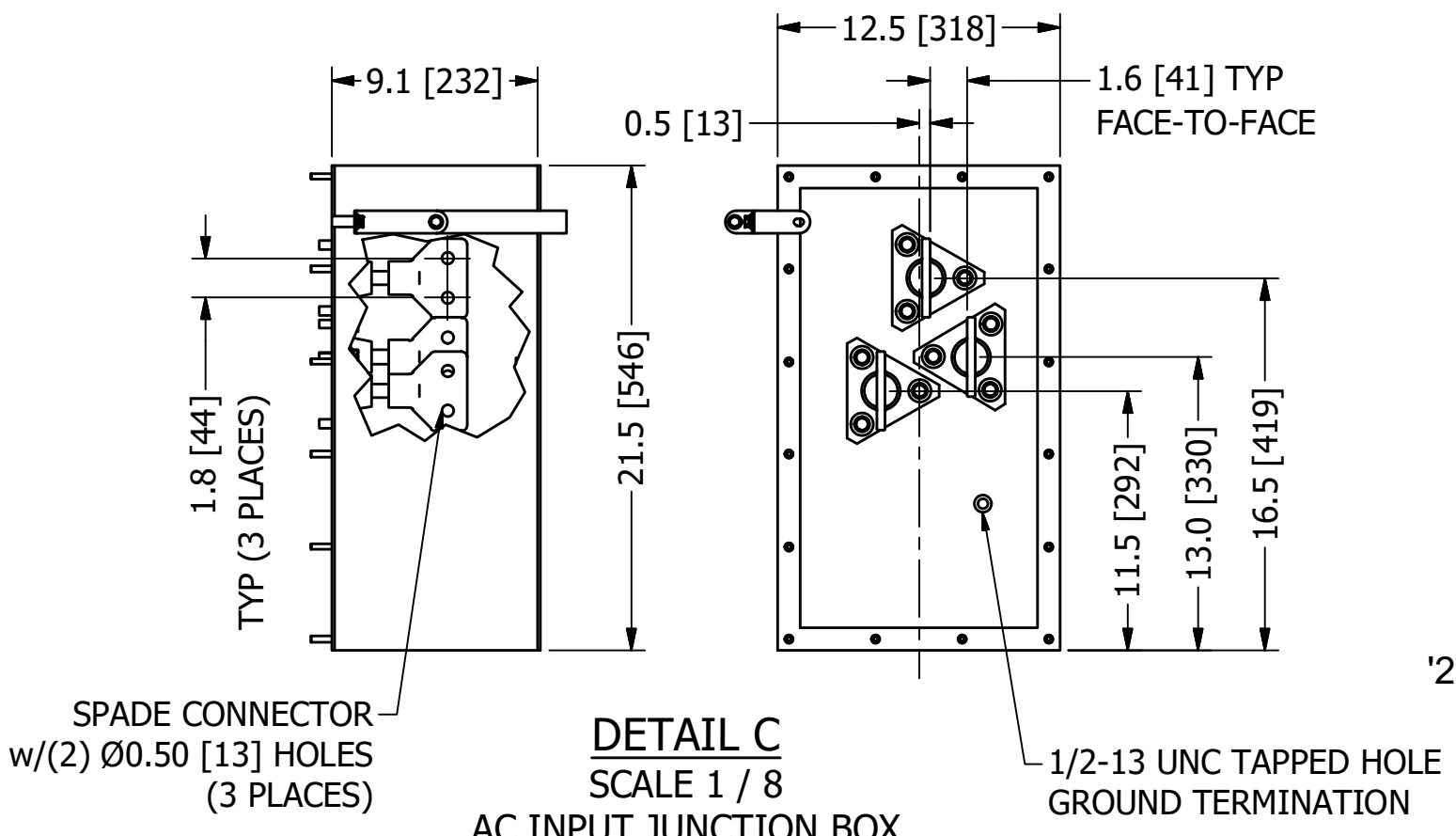
REAR VIEW



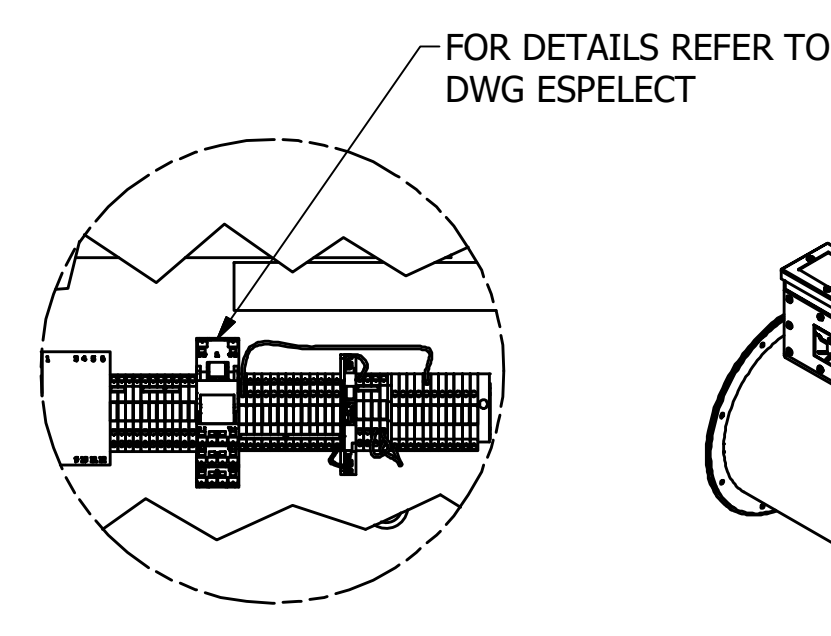
TOP VIEW



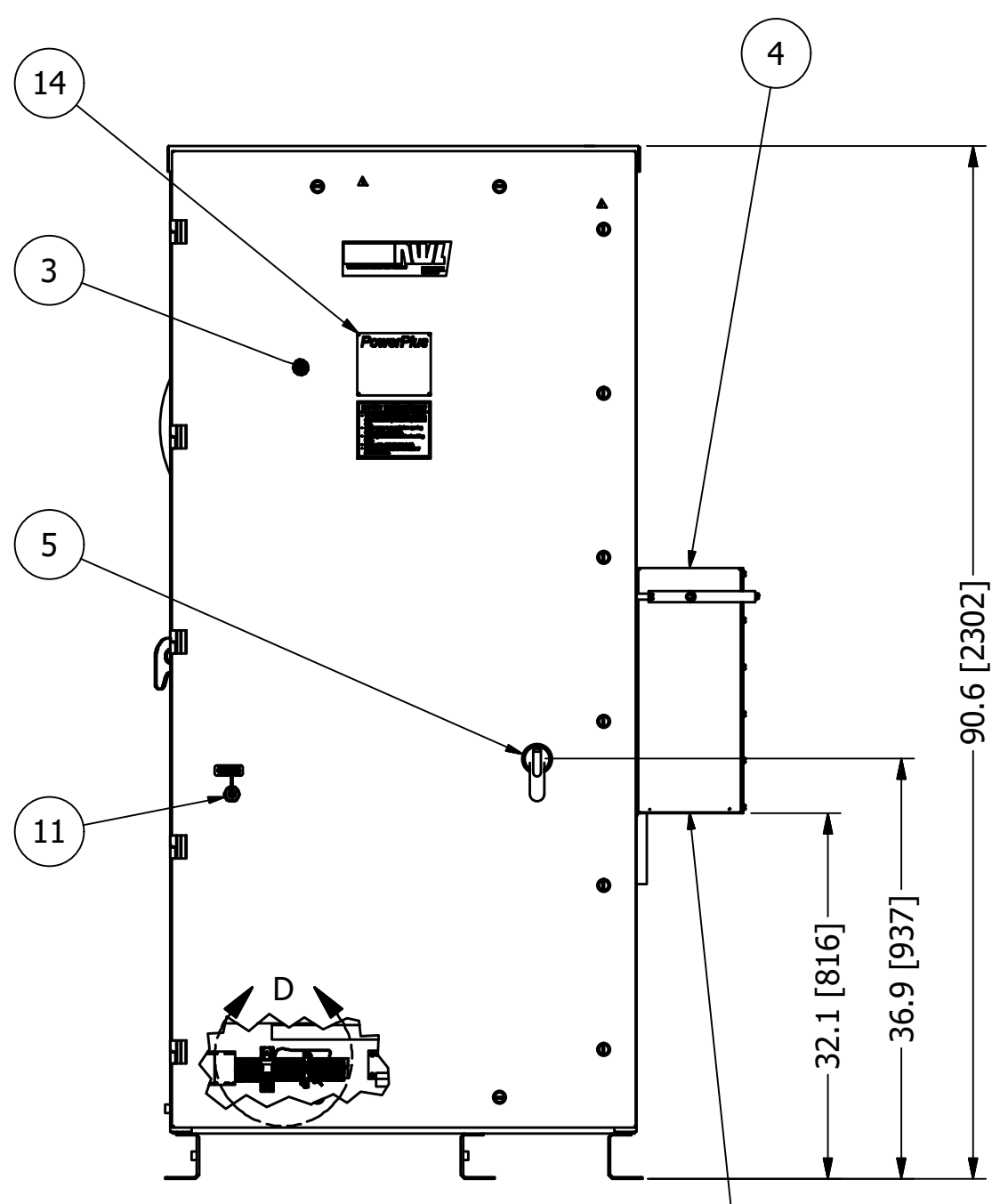
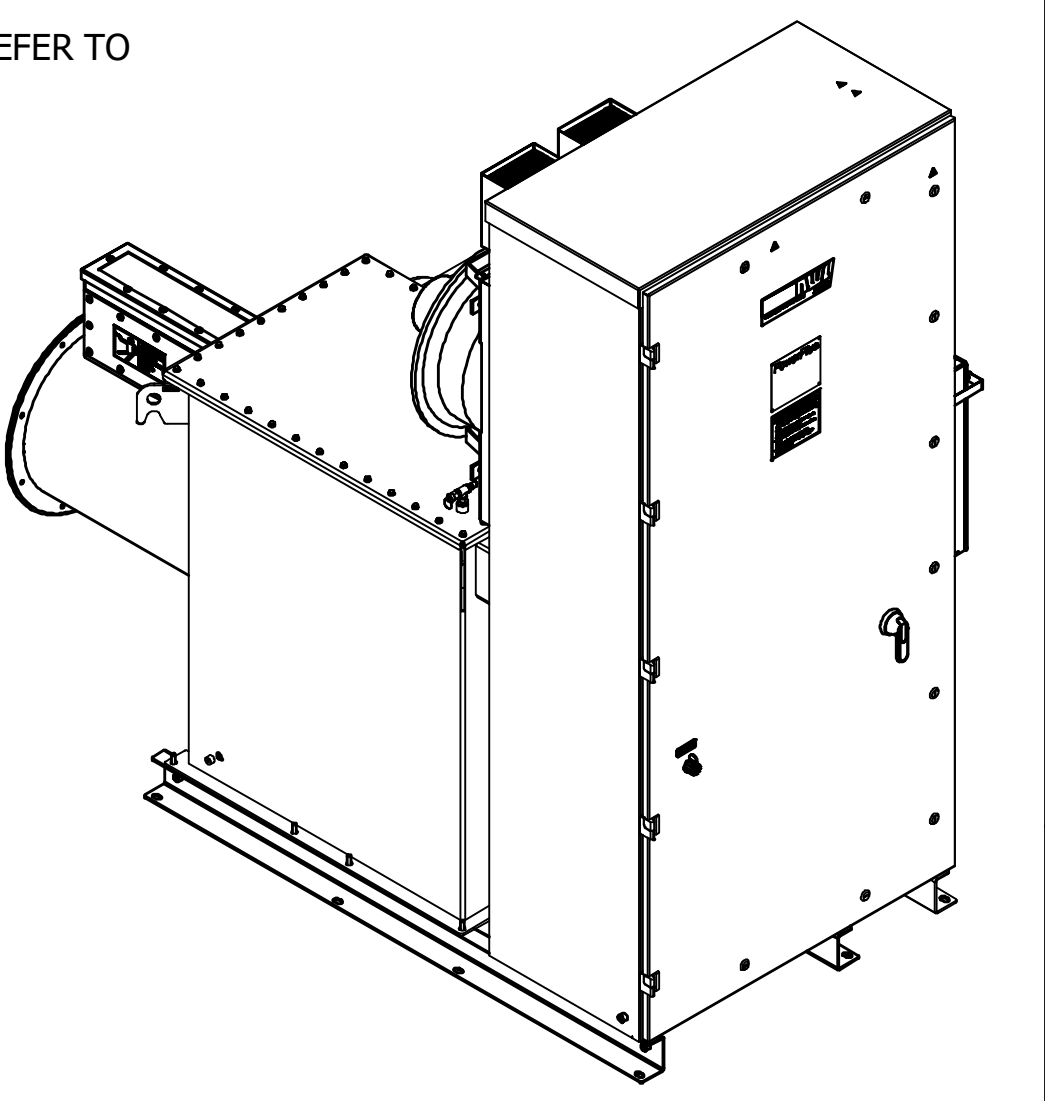
LEFT VIEW



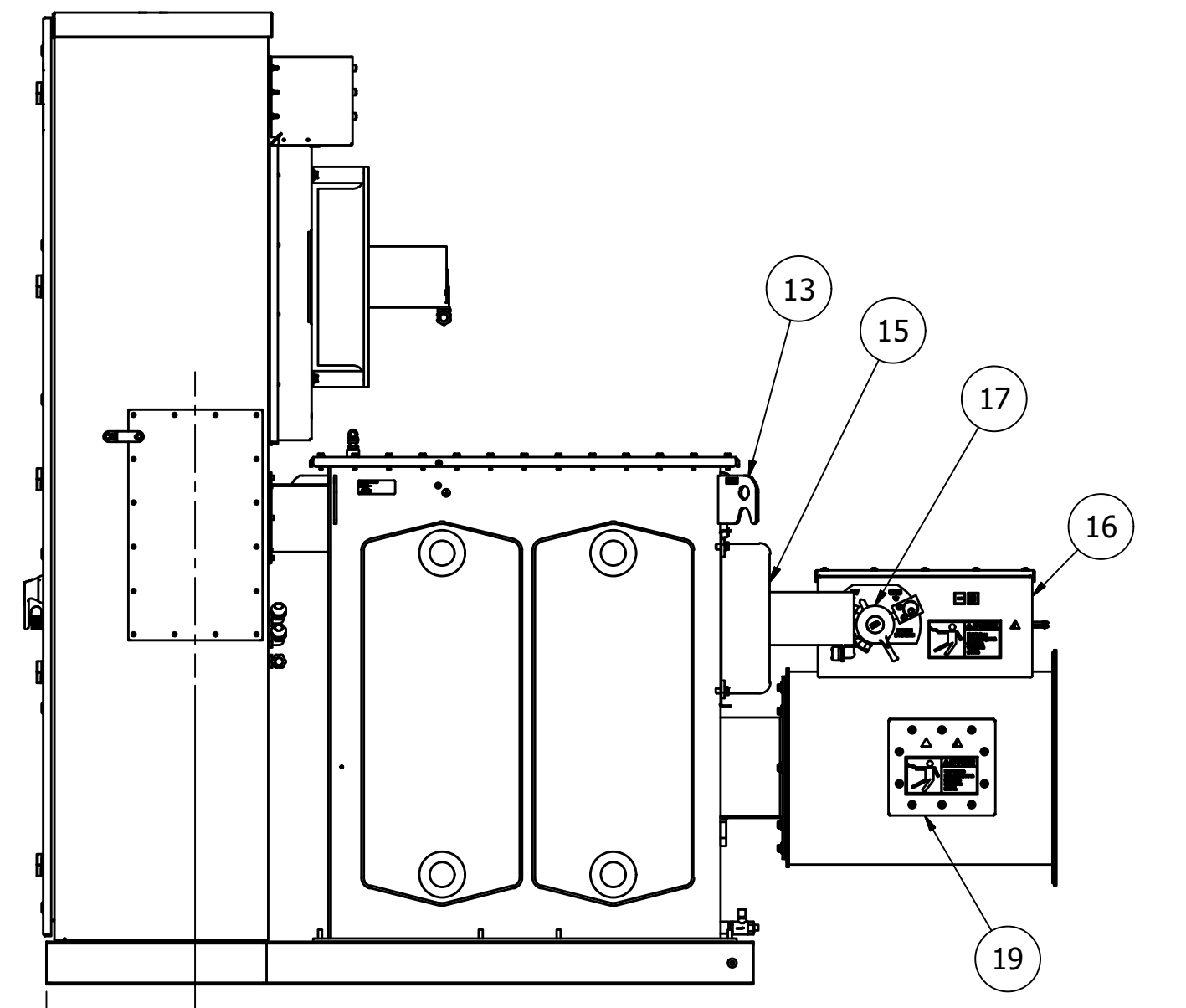
DETAIL C
SCALE 1 / 8
AC INPUT JUNCTION BOX
CUSTOMER CONNECTIONS



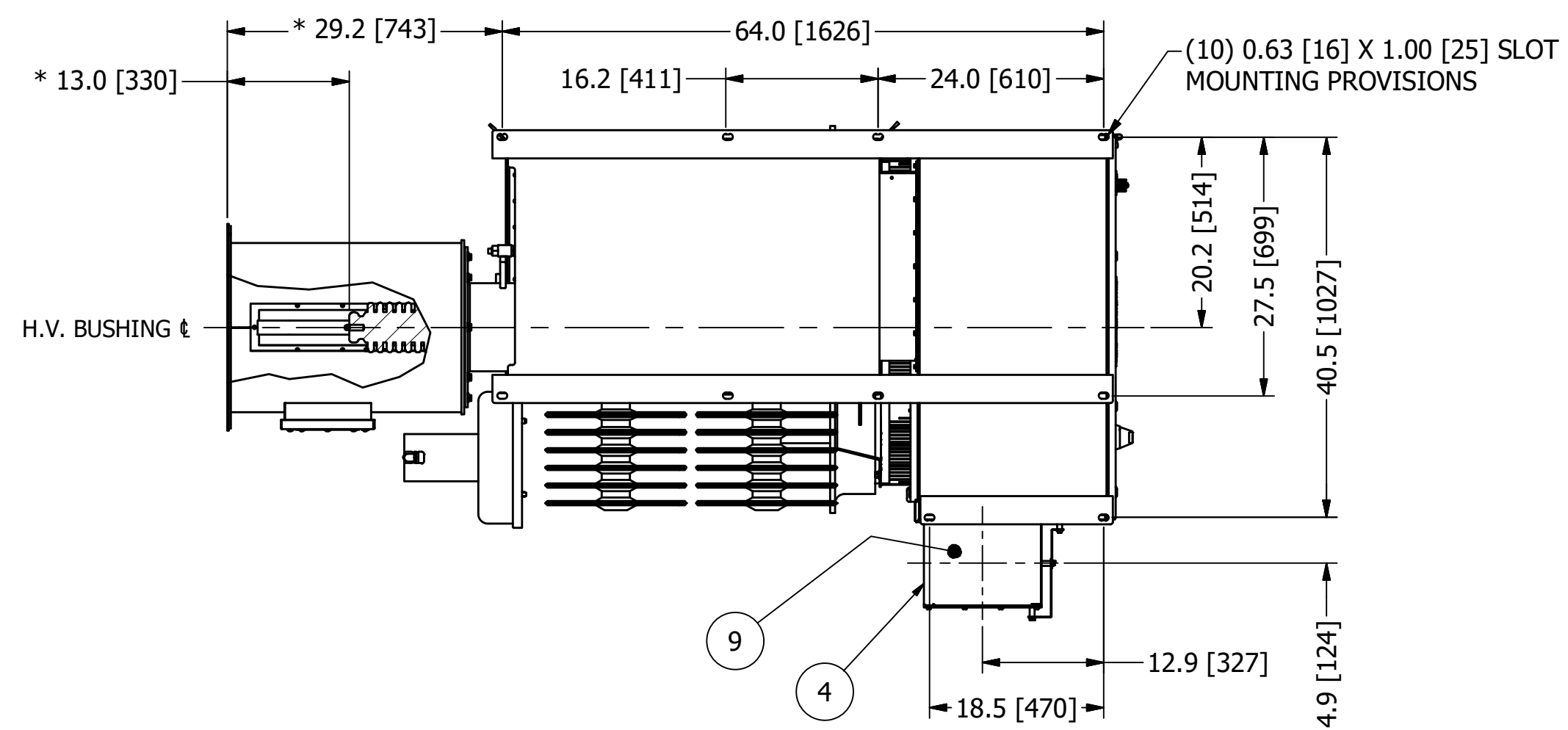
DETAIL D
'2TB' TERMINAL BLOCK RAIL ASSEMBLY
SCALE 1 / 5



FRONT VIEW



RIGHT VIEW



MOUNTING ARRANGEMENT FROM BOTTOM VIEW
(SECTION B-B)

* FOR REFERENCE ONLY. POWERPLUS ASSEMBLY MUST BE FIELD FITTED TO THE H. V. DUCT WORK PRIOR TO SECURING TO ROOF.

SHIPPING NOTES:
 1. POWERPLUS WILL BE SHIPPED WITH ROUND GROUND SWITCH.
 2. POWERPLUS WILL BE SHIPPED WITH DUCT GASKET AND MOUNTING HARDWARE.
 3. POWERPLUS SHIPPED WEIGHT: 3400lbs [1543kg]
 4. ROUND GROUND SWITCH SHIPPED WEIGHT: 100lbs [45kg]
 5. DIELECTRIC FLUID VOLUME: 134gal [507L]
 6. FINISH: ENAMEL, ASA 61, APPROX. RAL 7042.
 7. INDICATES CENTER OF GRAVITY LOCATION, NO LABEL.

INSTALLATION NOTES:
 1. POWERPLUS MUST BE MOUNTED ON LEVEL SURFACE OR SHIMMED TO WITHIN 1/8" [3.2] RISE PER 12" [305] RUN.
 2. COLD ROOF MAY NEED TO BE REINFORCED TO ACCEPT THE WEIGHT OF THE POWERPLUS UNIT.
 3. MAXIMUM ALLOWABLE DUCT INTERNAL TEMPERATURE: 122°F (50°C). MAXIMUM ALLOWABLE DUCT INTERNAL PRESSURE: 1 PSI (2.04" Hg). THE INSTALLER MUST USE AN ENTRANCE BUSHING IN ROOF TO MEET THESE SPECIFICATIONS.
 4. POWERPLUS MUST BE GROUNDED TO THE COLD ROOF BY THE END USER. REFER TO DWG B134074N FOR GROUNDING DETAILS.
 5. ALLOW 100" MINIMUM CLEARANCE ABOVE THE FLOOR TO LIFT AND REMOVE THE T/R RIG ASSEMBLY FROM THE OIL TANK. CLEARANCE DOES NOT INCLUDE RIGGING HEIGHT.
 6. POWERPLUS AND SWITCH ARE SEALED, RATED NEMA 4/IP56.

BALLOONED NUMBERS:

- ① POWERPLUS CONTROLLER CABINET.
- ② POWERPLUS H.V. TANK.
- ③ ACCESS DOOR TO FUSE/CONTACTOR, 3 PHASE RECTIFIER ASSEMBLY AND CONTROL SECTION. ALLOW 42" [1067] OF CLEARANCE FROM THIS FACE FOR DOOR SWING.
- ④ AC INPUT JUNCTION BOX w/REMOVABLE COVER. SEE DETAIL 'C'.
- ⑤ INPUT CIRCUIT BREAKER SWITCH HANDLE W/ INTERLOCK PROVISION INSIDE. FOR ACCEPTABLE INTERLOCKS SEE DWG C140616.
- ⑥ LIQUID LEVEL GAUGE AND TEMPERATURE GAUGE FOR OIL TANK.
- ⑦ CONTROLLER HEAT EXCHANGER (2) PLACES.
- ⑧ RECOMMENDED CUSTOMER CONTROLS AND FEEDBACK CONDUIT LOCATION.
- ⑨ RECOMMENDED CUSTOMER AC POWER INPUT LOCATION.
- ⑩ COOLING FAN FOR IGBT HEATSINK ASSEMBLY (2) PLACES.
- ⑪ WEATHER TIGHT, RJ45 CONNECTOR FOR NWL HMI CONNECTION.
- ⑫ HIGH VOLTAGE SEMI-OUTDOOR BUSHING.
- ⑬ LIFTING HOOKS (4) PLACES.
- ⑭ RATINGS NAMEPLATE, ALUMINUM PHOTO ETCHED.
- ⑮ RADIATOR COOLING FAN.
- ⑯ GROUND SWITCH.
- ⑰ H.V. SWITCH MECHANISM WITH VIEWING WINDOW AND INTERLOCK PROVISIONS. FOR INTERLOCK AND BOLT EXTENSION INFORMATION SEE DWG A105812.
- ⑱ SIDE EXIT 18" DUCT MOUNTING PROVISION. INCLUDES GASKETS AND 3/8-16 HARDWARE (8) PLACES ON A 20" [508] DIA B.C. WITH 18" [457] DIA DUCT OPENING.
- ⑲ REMOVEABLE ACCESS PANEL FOR BUSHING CONNECTION AND MAINTENANCE.
- ⑳ EQUIPMENT SAFETY GROUND TERMINATION, 3/8-16 GROUND BOSS.
- ㉑ OPTIONAL METRIC ADAPTER FOR H.V. BUSHING CONNECTION. CONVERTS 1/2" NPT TO M20-1.5. SEE DWG A117570.

ALL DIMENSIONS IN INCHES [mm]

| | | |
|---|---------------|------------------------|
| NWL 312 RISING SUN RD BORDENTOWN, NJ 08505 TEL. (609) 298-7300 FAX. (609) 298-1982 | | |
| TITLE: HF ESP, POWERPLUS SERIES 7.5, 128-160kW UNITS, w/ GROUND SWITCH | | |
| SCALE: N/A | APP'D BY: RJK | REVISION DATE: 2/15/19 |
| DWG BY: SDE | D.E. RJK | DWG: 128-160RD_S7.5 |
| TOLERANCES: (UNLESS OTHERWISE SPECIFIED) ANGLES ±.5 DEG DECIMALS .XX ±.0.1 DECIMALS .XX ±.0.05 FRACTIONS ±. 3/16 DECIMALS .XXX ±.0.015 | | |

| REV | DATE | AUTHOR | DESCRIPTION |
|-----|-----------|--------|------------------------------|
| A | 8/10/2020 | KAF | UPDATED DESIGN (INPUT J-BOX) |

REVISION HISTORY