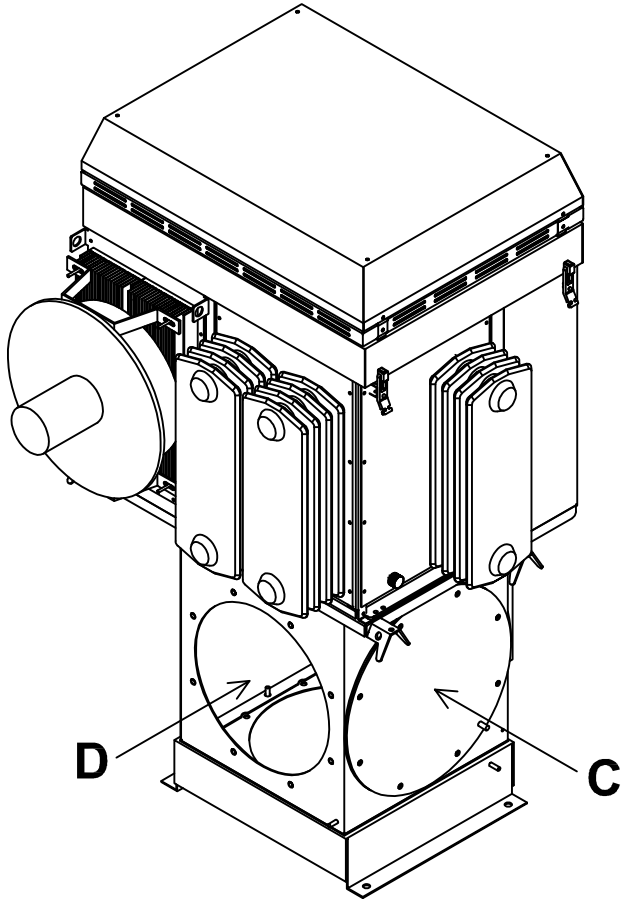
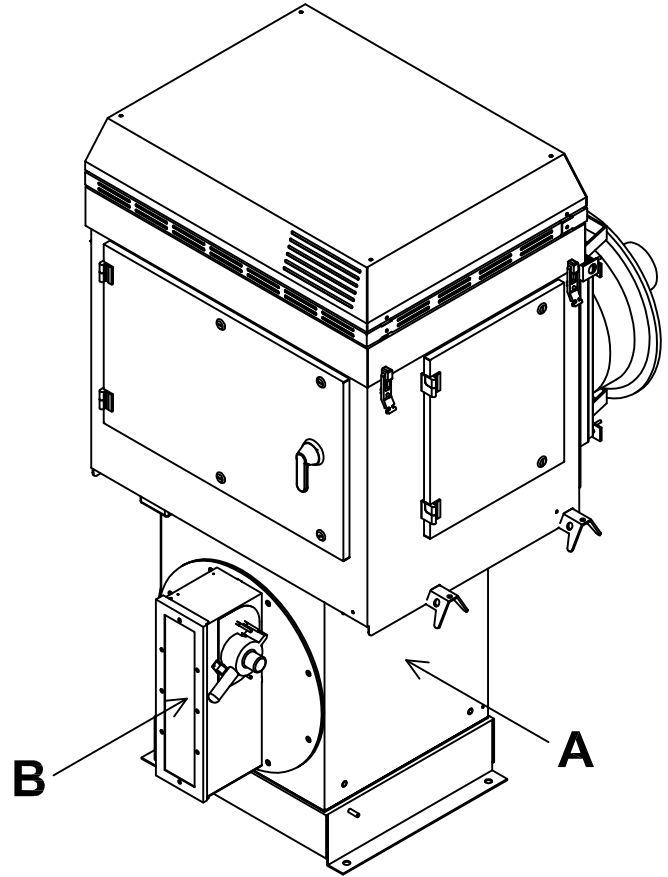




**CONFIGURATION DATA SHEET  
FOR POWERPLUS ORIENTATION ON A 3 PORT SIDE EXIT GROUND SWITCH**



**POWERPLUS BACK & LEFT SIDE VIEW**



**POWERPLUS FRONT & RIGHT SIDE VIEW**

THE POWERPLUS 3 PORT SWITCH BOX CAN BE ROTATED TO OFFER A VARIETY OF SWITCH HANDLE, DUCT AND DUCT COVER LOCATIONS. IF AN AUTO TRANSFORMER OPTION IS SELECTED, IT MUST BE MOUNTED ON SIDE 'A'. SELECT THE CONFIGURATION DESIRED FROM THE CHART BELOW. IF NO SELECTION IS MADE, THE POWERPLUS SWITCH WILL BE CONFIGURED AS SHOWN ABOVE. NOTE: 56/70kW POWERPLUS SHOWN. ALSO APPLIES TO 21/28kW POWERPLUS.

**SELECT ONE FROM EACH ROW**

	<b>A</b>	<b>B</b>	<b>C</b>	<b>D</b>
<b>BLANK</b>				
<b>SWITCH</b>				
<b>COVER</b>				
<b>DUCT</b>				

DATA SHEET: ESP-SQ-CONF  
REVISION DATE: 1/22/08  
APPROVED BY: HH