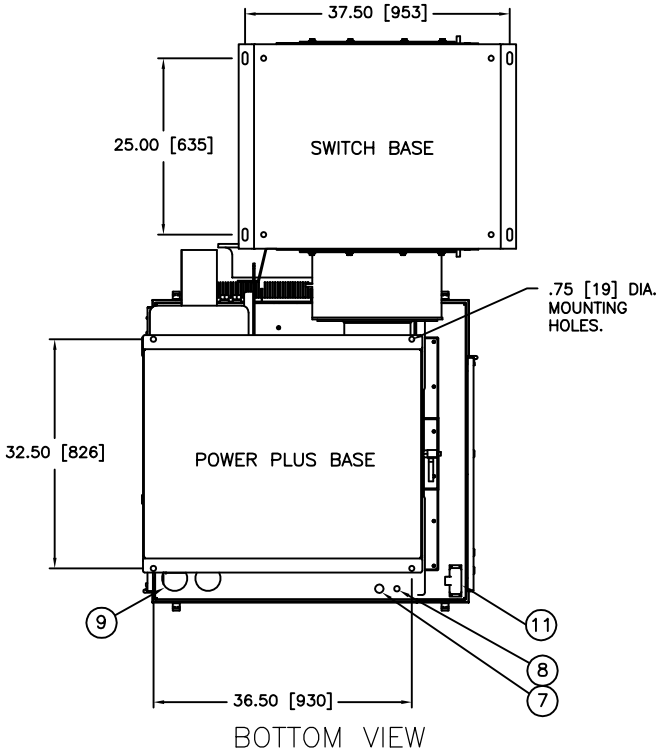
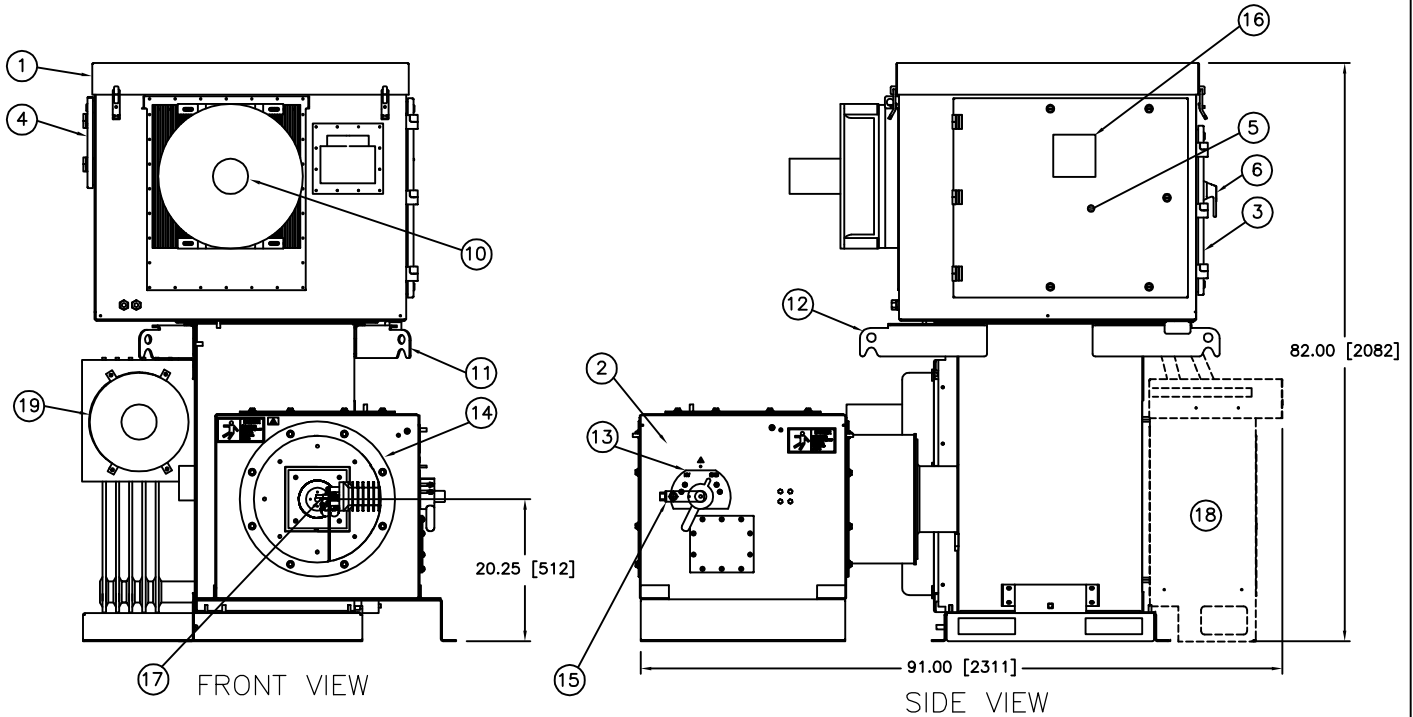




**HF ESP, POWERPLUS SERIES
105 & 120 kW UNIT WITH DISCONNECT GROUND SWITCH**



- ① POWERPLUS UNIT.
- ② DISCONNECT GROUND SWITCH (SHIPS SEPARATELY).
- ③ ACCESS DOOR TO CIRCUIT BREAKER TERMINALS. ALLOW 19" [483] OF CLEARANCE FROM THIS FACE FOR DOOR SWING.
- ④ ACCESS DOOR TO 3 PHASE RECTIFIER ASSEMBLY. ALLOW 19" [483] OF CLEARANCE FROM THIS FACE FOR DOOR SWING.
- ⑤ ACCESS DOOR TO HV TANK AND CONTROL SECTION. ALLOW 33" [838] OF CLEARANCE FROM THIS FACE FOR DOOR SWING.
- ⑥ INPUT CIRCUIT BREAKER SWITCH HANDLE WITH INTERLOCK PROVISION INSIDE. FOR ACCEPTABLE INTERLOCK SEE DWG A105811.
- ⑦ 1" [25.4] DIA CONDUIT HOLE FOR 120V CONTROL WIRING.
- ⑧ 1/2" [12.7] DIA CONDUIT HOLE FOR LOW VOLTAGE COMMUNICATION & OPTIONAL TRANSDUCER CONDUIT.
- ⑨ 2" [51] DIA CONDUIT HOLE FOR 3 PHASE POWER AND GROUND.
- ⑩ COOLING FAN FOR IGBT HEATSINK ASSEMBLY.
- ⑪ EZ SCOPE PORT WITH RJ45 SOCKET FOR KEYPAD DISPLAY CONNECTION AND BNC CONNECTORS FOR MAKING EXTERNAL kV AND mA MEASUREMENTS.
- ⑫ LIFTING HOOKS (4 PLACES).
- ⑬ H.V SWITCH MECHANISM WITH VIEWING WINDOW AND INTERLOCK PROVISIONS. FOR INTERLOCK AND BOLT EXTENSION INFO SEE DWG A105811.
- ⑭ SIDE EXIT 18" DUCT MOUNTING PROVISION. INCLUDES GASKETS AND 3/8"-16 HARDWARE 8 PLACES ON A 20" [508] DIA B.C. WITH 18" [457] DIA DUCT OPENING.
- ⑮ 1/2"NPT OUTPUT CONNECTION TAB TO ESP.
- ⑯ RATINGS NAMEPLATE, ALUMINUM PHOTO ETCHED.
- ⑰ OPTIONAL METRIC ADAPTER FOR H.V. OUTPUT CONNECTION. CONVERTS 1/2"NPT TO M20-1.5. SEE A117570.
- ⑱ OPTIONAL AUTO TRANSFORMER MOUNTED IN A NEMA 3R JUNCTION BOX. NOT SHOWN IN BOTTOM VIEW.
- ⑲ RADIATOR COOLING FAN.

NOTES:

- 1. POWERPLUS MUST BE MOUNTED ON A LEVEL SURFACE OR SHIMMED TO WITHIN 1/8" [3.2] RISE PER 12" [305] RUN.
- 2. COLD ROOF MAY NEED TO BE REINFORCED TO ACCEPT THE WEIGHT OF THE POWER PLUS UNIT.
- 3. MAXIMUM ALLOWABLE DUCT INTERNAL TEMPERATURE: 122°F (50°C). MAXIMUM ALLOWABLE DUCT INTERNAL PRESSURE: 1PSI (2.04"Hg. THE INSTALLER MUST USE AN ENTRANCE BUSHING IN THE ROOF.
- 4. POWERPLUS MUST BE GROUNDED TO THE COLD ROOF BY THE END USER. REFER TO DWGB126972 FOR GROUNDING DETAILS.

APPROX WEIGHT WITH DISCONNECT GND SWITCH: 2600lbs, 1179kg
 APPROX WEIGHT WITH SWITCH AND AUTO TRANS.: 3100lbs, 1405kg.
 DIELECTRIC FLUID VOLUME: 80gal, 303L
 FINISH: ENAMEL, ASA 61, APPROX. RAL 7042
 TANK AND CONTROL ENCLOSURE ARE SEALED UNITS RATED NEMA 4/IP56
 ALL DIMENSIONS IN INCHES FOLLOWED BY [mm].

DATA SHEET: ESP105-120DS
 REVISION DATE: 06/05/09
 APPROVED BY: HH