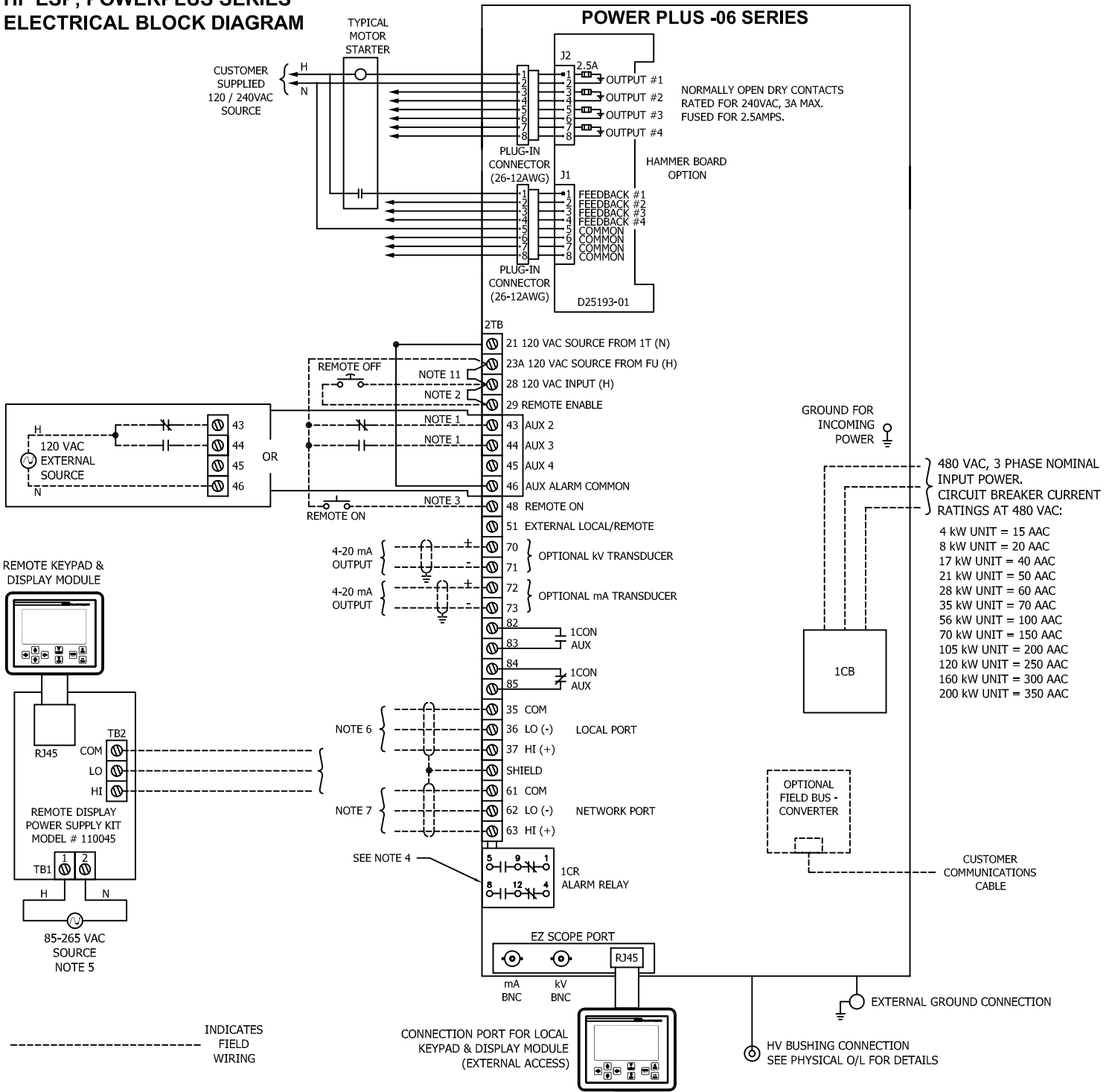




**HF ESP, POWERPLUS SERIES
ELECTRICAL BLOCK DIAGRAM**



NOTES:

- OPTIONAL AUXILIARY ALARM INPUT. NORMALLY OPEN OR NORMALLY CLOSED CONTACT ADJUSTABLE IN SOFTWARE. SEE MANUAL FOR ADJUSTMENT. IF EXTERNAL 120VAC SOURCE IS USED, THE NEUTRAL MUST BE CONNECTED TO TERMINAL 46. THE EXISTING JUMPER TO THE INTERNAL 120VAC NEUTRAL MUST REMAIN.
- REMOVE JUMPER TO INSTALL NORMALLY CLOSED REMOTE ENABLE INTERLOCK OR REMOTE OFF PUSH BUTTON. A MOMENTARY OPEN ON THE REMOTE ENABLE CONTACT WILL TURN THE HV OFF.
- A MOMENTARY CLOSE ON "REMOTE ON" CONTACT WILL ENERGIZE THE HV.
- ALARM RELAY 1CR ENERGIZES ON ALARM. END USER MUST WIRE DIRECTLY TO THE DPDT CONTACTS ON THE RELAY SOCKET MOUNTED ON 2TB DIN RAIL.
- EXTERNAL 85-265 VAC SOURCE SHOULD BE APPROXIMATELY 50 VA. EXTERNAL SOURCE IS PREFERRED IF VIEWING MULTIPLE POWER PLUS UNITS WITH SINGLE DISPLAY. IF EXTERNAL SOURCE NOT AVAILABLE, CONTROL POWER MAY BE TAPPED FROM 2TB-23 AND 2TB-21.
- WIRE THE DISPLAY POWER SUPPLY TO THE LOCAL PORT WHEN USED ON A SINGLE POWERPLUS.
- WIRE THE DISPLAY POWER SUPPLY TO THE NETWORK PORT WHEN USE ON TWO OR MORE POWERPLUS. SEE DRAWING B122876 FOR WIRING DETAILS.
- MAXIMUM RAPPER OUTPUT 240 VAC, 2.5 AMPS. OPTIONAL ROTATING HAMMER/RAPPER CONTROL BOARD REQUIRED.
- RUN 120 VAC WIRING IN SEPARATE CONDUIT OR TRAY FROM 480 VAC WIRING. RUN COMMUNICATION WIRING (NETWORK OR LOCAL PORT) IN SEPARATE CONDUIT OR TRAY FROM 120 VAC WIRING AND 480 VAC WIRING.
- ALL AUXILIARY CONTACTS, PUSHBUTTONS AND LIGHTS ARE CUSTOMER SUPPLIED AND INSTALLED.
- REMOVE JUMPER TO INSTALL NORMALLY CLOSED MASTER FUEL TRIP CONTACT.

DATA SHEET: ESPECT-06-C
REVISION DATE: 2/17/12
APPROVED BY: RJK