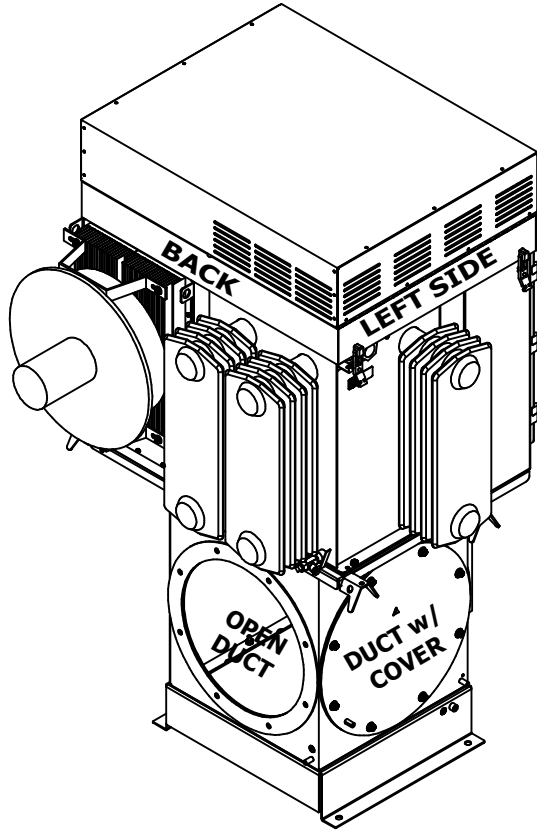
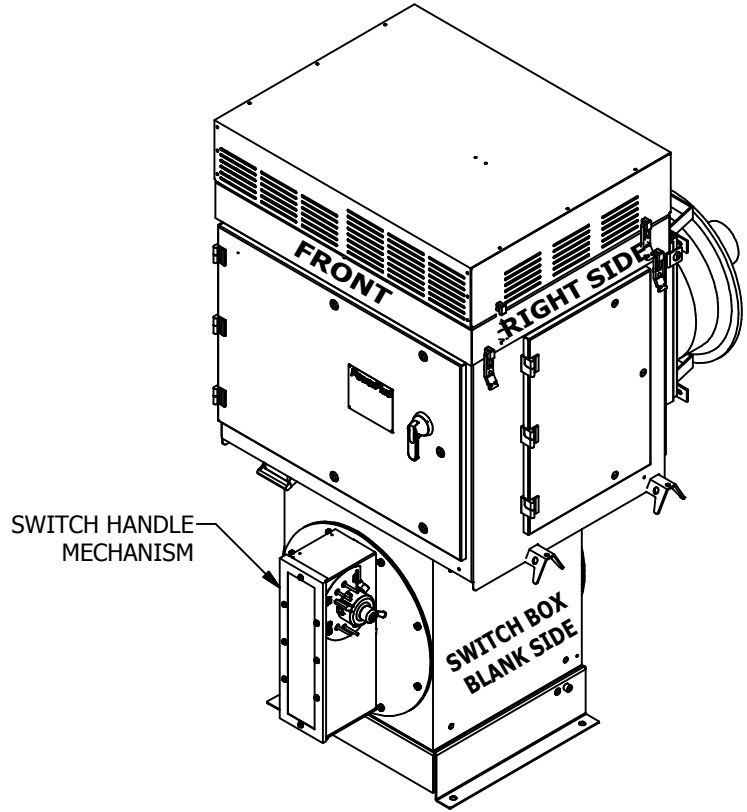




**CONFIGURATION DATA SHEET  
FOR POWERPLUS ORIENTATION ON A 3 PORT SIDE EXIT GROUND SWITCH**



POWERPLUS BACK & LEFT SIDE VIEW



POWERPLUS FRONT & RIGHT SIDE VIEW

THE POWERPLUS 3 PORT SWITCH BOX CAN BE ROTATED TO OFFER A VARIETY OF SWITCH HANDLE, DUCT AND DUCT COVER LOCATIONS. SELECT THE DESIRED LOCATION OF EACH ITEM FROM THE CHART BELOW. IF NO SELECTION IS MADE, THE POWERPLUS SWITCH WILL BE CONFIGURED AS SHOWN ABOVE. NOTE: 56/70 kW POWERPLUS SHOWN. ALSO APPLIES TO THE 28/35 kW POWERPLUS.

SELECT ONE FROM EACH ROW				
	BACK	LEFT	FRONT	RIGHT
BLANK SIDE				
SWITCH HANDLE				
DUCT w/ COVER				
OPEN DUCT				