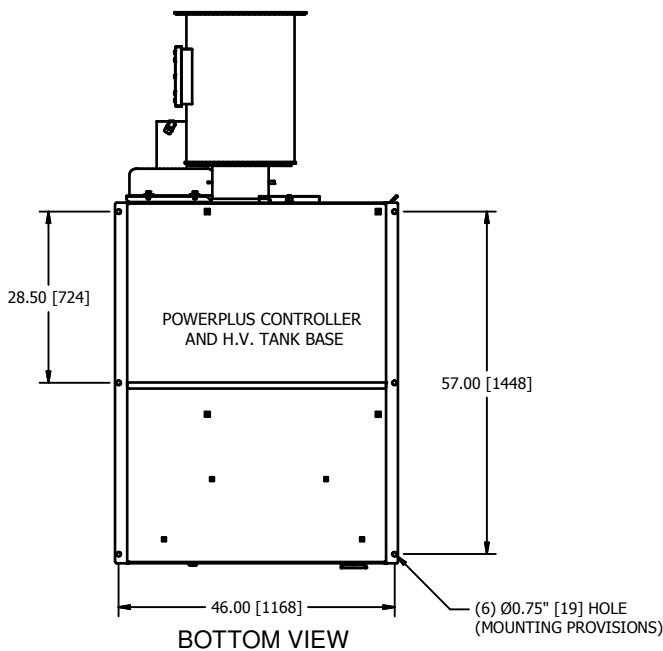
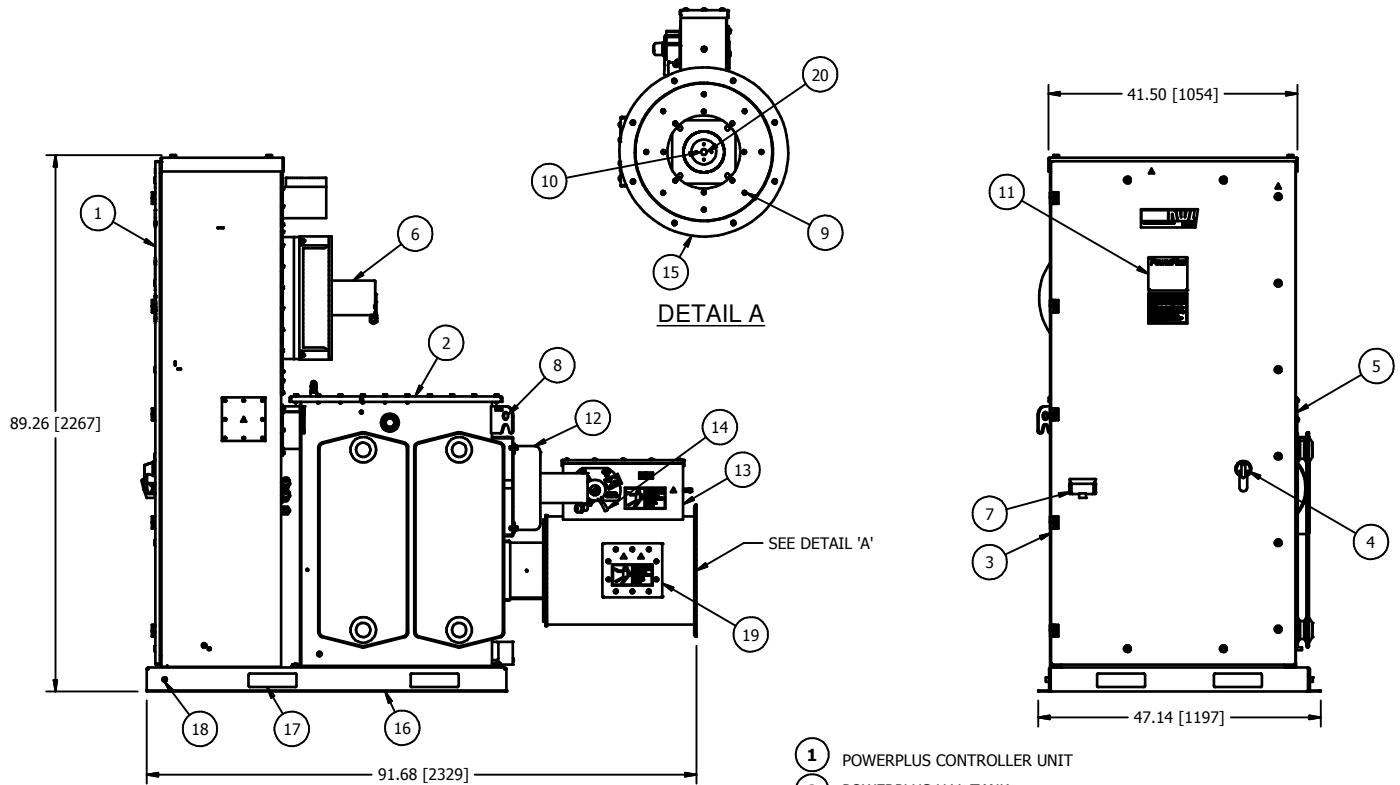




HF ESP, POWERPLUS SERIES
128-200kW UNITS W/ GROUND SWITCH



BOTTOM VIEW

NOTES:

1. POWERPLUS MUST BE MOUNTED ON LEVEL SURFACE OR SHIMMED TO WITHIN 1/8" [3.2] RISE PER 12" [305] RUN.
2. COLD ROOF MAY NEED TO BE REINFORCED TO ACCEPT THE WEIGHT OF THE POWERPLUS UNIT.
3. MAXIMUM ALLOWABLE DUCT INTERNAL TEMPERATURE: 122°F (50°C). MAXIMUM ALLOWABLE DUCT INTERNAL PRESSURE: 1 PSI (2.04" Hg). THE INSTALLER MUST USE AN ENTRANCE BUSHING IN ROOF TO MEET THESE SPECIFICATIONS.
4. POWERPLUS MUST BE GROUNDED TO THE COLD ROOF BY THE END USER. REFER TO DWG B126972 FOR GROUNDING DETAILS.
5. ALLOW 100" [2540] MINIMUM CLEARANCE ABOVE THE FLOOR TO LIFT AND REMOVE THE T/R RIG ASSEMBLY FROM THE OIL TANK. CLEARANCE DOES NOT INCLUDE RIGGING HEIGHT.

APPROX. WEIGHT W/ GND SWITCH: 4,600lbs [2091kg]
DIELECTRIC FLUID VOLUME: 155gal (587L).
FINISH: ENAMEL, ASA 61, APPROX. RAL 7042.
TANK AND CONTROL ENCLOSURE RATED NEMA 4/IP56.

- 1 POWERPLUS CONTROLLER UNIT
- 2 POWERPLUS H.V. TANK
- 3 ACCESS DOOR TO FUSE/CONTACTOR, 3 PHASE RECTIFIER ASSEMBLY AND CONTROL SECTION. ALLOW 46" [1169] OF CLEARANCE FROM THIS FACE FOR DOOR SWING.
- 4 INPUT CIRCUIT BREAKER SWITCH HANDLE W/ INTERLOCK PROVISION INSIDE. SEE DWG C140616.
- 5 GLAND PLATE FOR 3 PHASE POWER AND GROUND.
- 6 COOLING FAN FOR IBBT HEATSINK ASSEMBLY (PLACES).
- 7 EZ SCOPE PORT WITH RJ45 SOCKET FOR KEYPAD DISPLAY CONNECTION AND BNC CONNECTORS FOR MAKING EXTERNAL kV AND mA MEASUREMENTS.
- 8 LIFTING HOOKS
- 9 SWITCH/DUCT MOUNTING PROVISION. INCLUDES GASKETS AND 3/8-16 HARDWARE, (8) PLACES ON A 15" [508] DIA WITH 9.50" [241] DIA. DUCT OPENING.
- 10 1/2"NPTF OUTPUT CONNECTION.
- 11 RATINGS NAMEPLATE, ALUMINUM PHOTO ETCHED.
- 12 RADIATOR COOLING FAN.
- 13 GROUND SWITCH
- 14 H.V. SWITCH MECHANISM WITH VIEWING WINDOW AND INTERLOCK PROVISIONS. FOR INTERLOCK AND BOLT EXTENSION INFORMATION SEE DWG A105812.
- 15 SIDE EXIT 18" DUCT MOUNTING PROVISION. INCLUDES GASKETS AND 3/8-16 HARDWARE (8) PLACES ON A 20" [508] DIA B.C. WITH 18" [457] DIA DUCT OPENING.
- 16 POWERPLUS BASE
- 17 FORKING PROVISIONS (4) PLACES
- 18 EQUIPMENT SAFETY GROUND TERMINATION, 3/8-16 GROUND BOSS.
- 19 REMOVABLE ACCESS PANEL FOR BUSHING CONNECTION AND MAINTENANCE.
- 20 OPTIONAL METRIC ADAPTER FOR H.V. BUSHING CONNECTION. CONVERTS 1/2" NPT TO M20-1.5. SEE DWG A117570.

DATA SHEET: ESP128-200RD

REVISION DATE: 10/14/15

APPROVED BY: RJK

ALL DIMENSIONS IN INCHES [mm]